

UB32 Series Heavy Duty Towel Bar

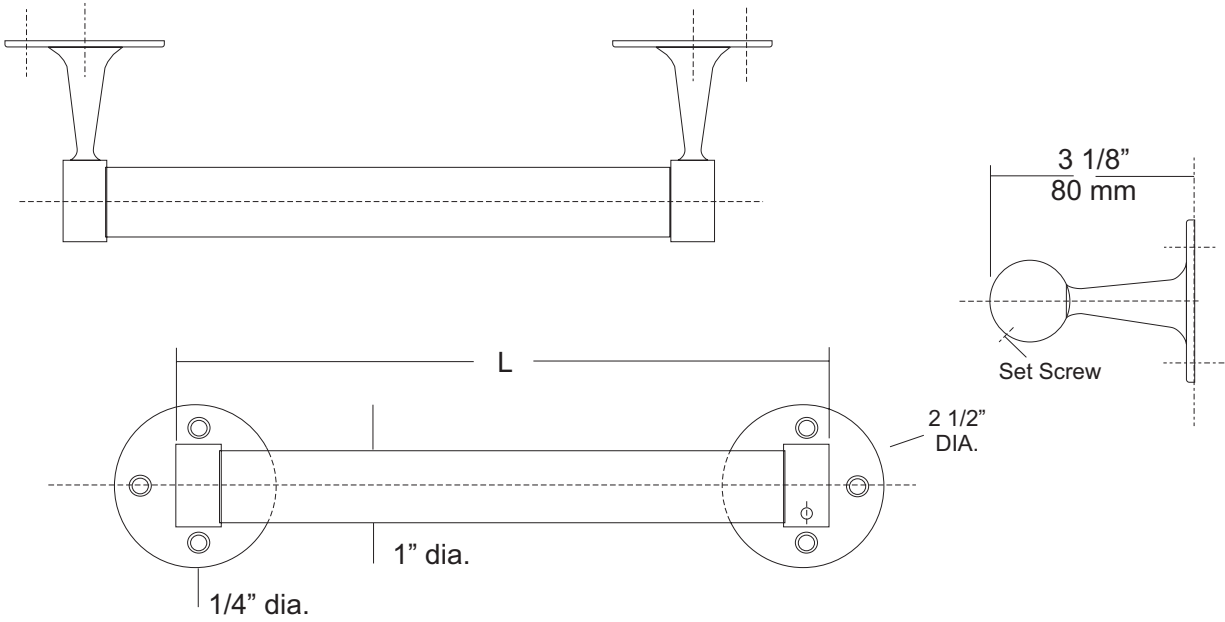
Revision 03/11

JOB #:

ITEM #:

QUANTITY:

MOUNTING	HANDING	TYPE	SIZE	OTHER



SPECIFICATIONS	INSTALLATION
----------------	--------------

Posts: Fabricated of solid forged brass finished with a chrome plated bright finish. Mounting flange is equipped with three countersunk mounting points. (1/4" Dia.). One post is equipped with a set screw to prevent bar from rotating.

Bar: Fabricated of #18 ga stainless steel with a bright finish. Diameter of bar is 1" (26mm)

Standard Lengths: 18", 24", 30", 36"

UB32-SF: Same as UB32 with satin finish

Place towel bar inside the post ends and hold up to mounting surface. Making sure unit is level, transfer mounting points from each flange and drill pilot holes. Secure one to mounting surface with proper fasteners per application. Insert bar into mounted post and slide other post over bar. Holding post against wall, secure flange to wall.

NOTES

Formerly Model #: UBK6000 Series