



UX192

Facial Tissue Dispenser

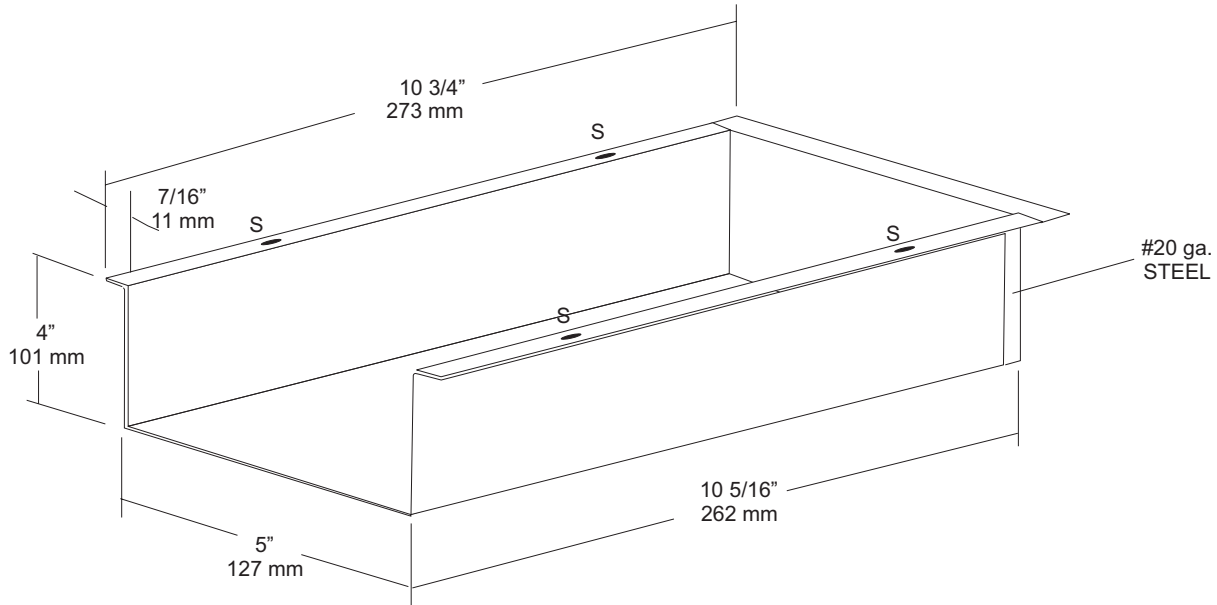
Revision 03/11

JOB #:

ITEM #:

QUANTITY:

MOUNTING	HANDING	TYPE	SIZE	OTHER



SPECIFICATIONS

Box: Fabricated of #20 gauge pre-plated steel. One end of the box is open to allow facial tissue box to be loaded. A 7/16" lip surrounds three sides of the box with mounting points located on two. Adapters, springs or hinges are not required to load tissue box.

Overall Size: 10 3/4"W x 5"H x 4"D

273mm x 127mm x 102mm

Capacity: 250 two ply tissue box

INSTALLATION

Box is mounted on the inside of vanity apron. Provide an area on the vanity face for a cut out to accommodate the tissue to be dispensed from the box. Make sure the box will have enough room to be mounted and allow tissue box to be loaded when needed. The vanity face becomes the face of the box holder. Make sure that all areas of cutout have been deburred to prevent injury or tissue tearing. Hold unit behind the cutout making sure unit is level and centered behind cutout. Transfer mounting points to apron and drill pilot holes making sure not to go through face. Secure with proper fasteners and load tissue box.

NOTES

Formerly Model #: U196BX