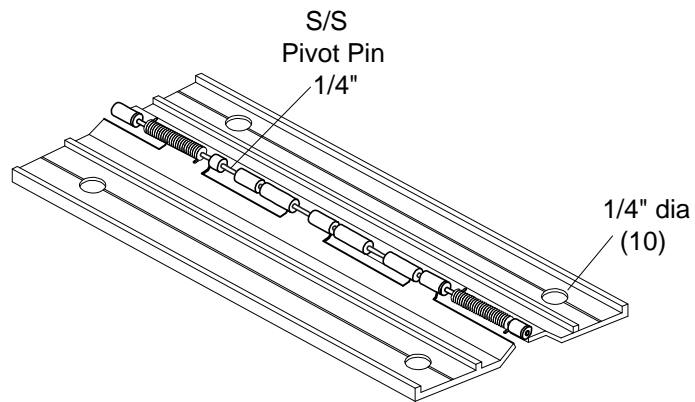
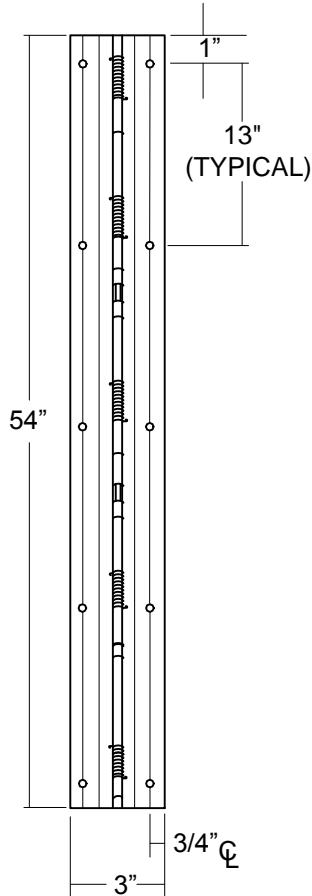
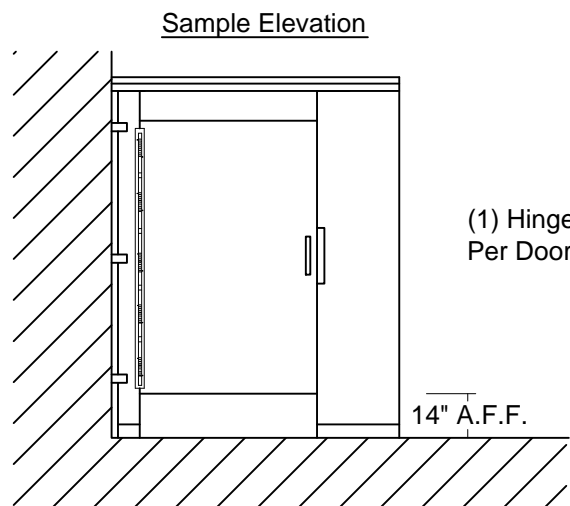


Continuous Aluminum Hinge



Cross Section
Actual Length 54"



- **Material:** Extruded Satin Finish Aluminum. Stainless Steel pivot pin and wire springs.
- **Application:** Door-to-pilaster connections.
- **Fasteners required per component:** (10) male/female thru-bolt pairs.