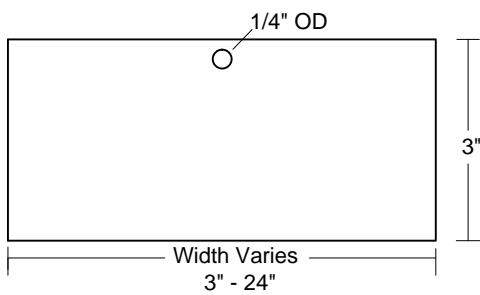
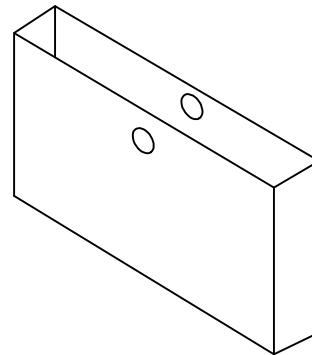
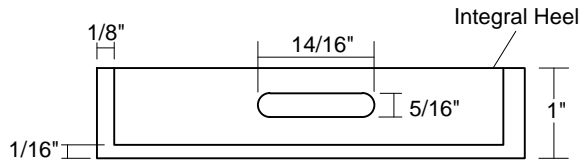
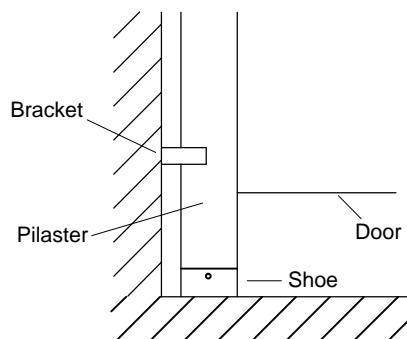


Stainless Steel Shoe



Custom Widths Available

Sample Elevation



- **Material:** 20 ga. Stainless Steel, #4 Satin Finish.
- **Application:** Secure pilaster to finished floor.
- **Fasteners required per component:** (2) 1 1/2" Torx screws; (1) male/female thru-bolt pair.