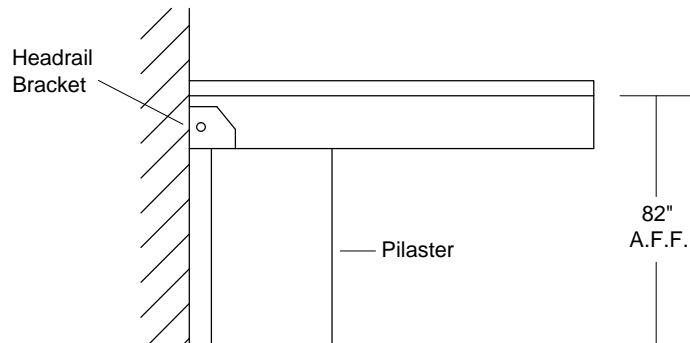


Sample Elevation



- **Material:** 1/8" Thick, Chrome Plated Zamac
- **Application:** Headrail-to-wall and headrail-to-pilaster connections (1 1/4" Headrail only).
- **Fasteners required per component:** Headrail bracket requires (2) 1 1/2" Torx screws **or** (2) 3/4" Torx screws; (1) male/female thru-bolt pair.