



Division 10

Toilet and Bath Accessories



Washroom Accessories Division

AJW

A&J Washroom Accessories

Focused on Service™

A lot has changed since AJW opened our doors forty years ago. We have refined and expanded our product line to respond to customer demands. We have heavily reinvested in technology to answer growing industry needs. Our customer base now spreads all around the globe.

Some things at AJW haven't changed; however, the superior design and value of our products and our extraordinary dedication to customer partnerships.

We focus on service so you can focus on results.

Table of Contents

- 4. Corporate Responsibility
- 6. Custom Fabrication
- 8. Hand Dryers
- 10. Soap Dispensers
- 14. Paper Towel Dispensers
- 18. Towel & Waste Combinations
- 26. Waste Receptacles
- 28. Feminine Hygiene Accessories
- 30. Restroom Stall Accessories
- 34. Mirrors & Shelves
- 40. Toilet Tissue Dispensers
- 42. Grab Bars
- 46. Healthcare Accessories
- 52. Hospitality Accessories
- 62. Janitorial Accessories
- 66. Security Accessories
- 70. Index



Focused on Service™

In order to ensure that AJW is operating with your needs as our top priority, I have devoted a significant amount of time over the last two years visiting distributors like you.

One of my primary objectives for these visits has been to understand which qualities make a partner valuable to you and which behaviors force you to re-evaluate or terminate a business relationship. The partners who you classified as unreliable, difficult, and more expensive to do business with were not only taxing on your business and your staff, but also detrimental to your relationships with your customers and your bottom line. Your point was very clear: these partners failed because they complicated your operations instead of simplifying them. On the other hand, I learned that a partner who exceeds your expectations by providing you with consistent service levels and most importantly, expedient conflict resolution, can quickly distinguish themselves as an invaluable resource.

Armed with a better understanding of your daily challenges and needs, we have renewed our focus to improve our ability to deliver quality products at competitive prices with superior service. A core group of industry veterans along with a team of motivated newcomers create a winning formula that allows us to concentrate on the fundamentals that make your project successful. Our culture at AJW is the foundation of our performance. Focused on Service is more than a tagline; it's a way of doing business for every employee at AJW.

The positive momentum we have created at AJW is the result of your continued feedback. Our service model, manufacturing standards, and performance guidelines are designed to deliver results for you. We invite you to share your requests, comments, and questions about any aspect of our business. This interactive dialogue will ensure that AJW continues to provide you with the best results in the industry.

We look forward to building a successful partnership with you.

Sincerely,



Chris Hansen, CEO

CORPORATE RESPONSIBILITY

At AJW our proactive business approach includes awareness of social and environmental responsibility. As a company with a global customer base, we understand that the way we act and the products we sell have the potential to impact the world. Responsible corporate citizenship means more to us than just positive public relations. It is a way of doing business, and of helping others to follow suit. We set a high standard of social and environmental performance for ourselves, and encourage our business partners and others in our industry to do the same.



USGBC Member

AJW is a proud member of the United States Green Building Council (USGBC), a non-profit organization committed to creating a prosperous and sustainable future for our nation through cost-efficient and energy-saving green buildings.

Membership in this organization is made up of organizations and individuals who share the USGBC goal of a sustainable future. As a partner in construction, AJW believes that it is our duty to help push the green building industry forward.

About LEED

Leadership in Energy and Environmental Design (LEED) is an internationally recognized green building certification system that provides third party verification that a building project was designed with environmentally-safe goals in mind.

Developed by the United States Green Building Council, LEED provides straightforward guidelines for recognizing and executing green solutions for design and construction. Any building, no matter how large or small, may be LEED certified.



AJW Products Can Help

As intimidating as LEED certification may seem, we know that a little extra help goes a long way. That's why the AJW collection includes recycled, sustainable, and energy-efficient products that fall within the LEED guidelines to earn you points.

Sourced Material:

Stainless steel must be sourced within a 500 mile radius of our factory (original source Pittsburgh, PA). Many of our stainless steel products will help with your eligibility toward Material and Resource (MR) Credits 5.1 and 5.2 if your project is within 500 miles of New Windsor, New York and Pittsburgh, Pennsylvania.

Raw material:

AJW stainless steel products are made up of between 55% and 65% recycled material. Thirty-five percent of our stainless steel is recycled pre-consumer and 25% is recycled post-consumer. Our stainless steel will help with your eligibility toward MR Credits 4.1 and 4.2.

Plastics:

All plastic AJW baby changing stations are made up of 50% recycled high density polyethylene. AJW HD plastic retractable shower seat decks are made from 100% post-consumer high density polyethylene. Our plastic materials will help with your eligibility toward MR Credits 4.1 and 4.2.

Packaging:

Our corrugated cardboard packaging is made up of 87% post-consumer recycled material.

Glass:

Pre-consumer materials include scraps that are left after the fabrication process. We use these materials in the glass for our mirrors, cutting down on waste. All glass used in AJW mirrors are made up of 20% pre-consumer recycled materials.

Focused on Solutions™

Sometimes your building project presents a problem that standard products won't solve. When faced with this challenge, turn to AJW for assistance with finding the right solution.

With over 40 years of manufacturing experience, AJW is your full service partner for every aspect of your washroom accessory needs. From bid to delivery, AJW will work with you to design and implement solutions that fit within your budget and time constraints.

If your project requires a special fabrication, please contact one of our Customer Relationship Managers at **845.562.3332** for more information about how AJW can turn your problem into a solution.

Care & Cleaning

Proper care and cleaning is important to maintaining the longevity of your products. See the guide below for information.

Soap Dispensers:

Tanks and valves should be cleaned periodically to avoid sludge build up, thus promoting better valve operation. If a dispenser valve becomes clogged, the unit should be soaked in hot water and the valve should be flushed. We recommend free flowing viscosity soaps only that are non-chloric and mixed properly per soap manufacturer's instructions.

Cabinets and Grab Bars:

Clean with non-abrasive cleaners and wipe with a soft cloth, following the grain of the steel to prevent scratching. Chloric solutions can discolor stainless steel and eventually cause oxidation.

Mirrors:

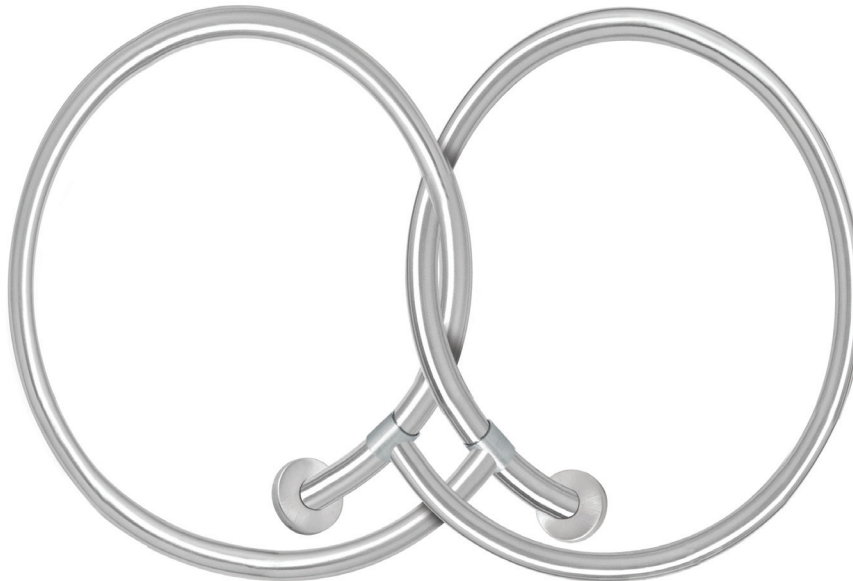
Plate, tempered and laminated glass should be maintained the same as stainless steel. Do not let cleaning solutions collect inside mirror frame, as this may cause silver spoilage.

Security Mirrors:

Plastic and stainless steel surfaces should be cleaned with non-abrasive cleaners. Cleaners containing bleach, chlorine, or other harsh chemicals should not be used. **Do Not** clean security mirrors in circular motions, as this will scratch the mirror surface.

Hand Dryers:

Preventative maintenance should be periodically performed to ensure proper mechanical function. The power source must be interrupted and cover removed. Any dust or lint should be removed from inside the cover and internal mechanism. Secure cover back to base, restore power and test dryer for proper operation. All electronic eyes must be carefully cleaned of grease and checked for obstructions that may impede the performance of the sensor range.



ADA Guidelines

The landmark Americans with Disabilities Act (ADA Code), enacted on July 26th, 1990, provides comprehensive civil rights protections to individuals with disabilities in the areas of employment, public accommodations, state and local government services and telecommunications. This rule prohibits discrimination on the basis of disability by private entities in places of public accommodation, and requires that all new places of public accommodation and commercial facilities be designed and constructed so as to be readily accessible to and usable by persons with disabilities.

Note: Be sure to check all local codes before the product is installed for any deviation in mounting requirements.



This icon denotes that the item is ideal for ADA applications.

ADA Compliance Guide

4.19.6 – Mirrors:

Bottom edge of reflective surface, cannot be mounted at a height higher than 40" above finished floor. If mirrors are to be used by both ambulatory and wheelchair users, mirrors must be at least 74" (1880mm) high at their highest edge. A single full length mirror can accommodate all people including children.

4.27.4 – Operation:

Controls and other operating mechanisms shall be operable with one hand and shall not require tight grasping or twisting of the wrist. The force required to activate controls shall not be greater than 5 lbs. Highest operating point of an item can be no higher than 40" above finished floor.

4.26.3 – Grab Bars:

Diameter of gripping surface shall be 1 1/4" to 1 1/2" (32mm to 38mm). The space between wall and grab bar (offset) shall be no greater than 1 1/2" (38mm). Recommend 33" to 36" centerline above finished floor. Verify if a non-slip (peened) grip is required per local codes.

4.16.6 – Toilet Paper Dispensers:

Any dispenser that needs to comply with ADA code cannot have any type of controlled delivery. The minimum mounting height above finished floor is 19" to the center of the roll.

4.23.9 – Medicine Cabinets:

Must be located with a usable shelf no higher than 44" (1117mm) above the finished floor.

4.21.3 – Shower Seats:

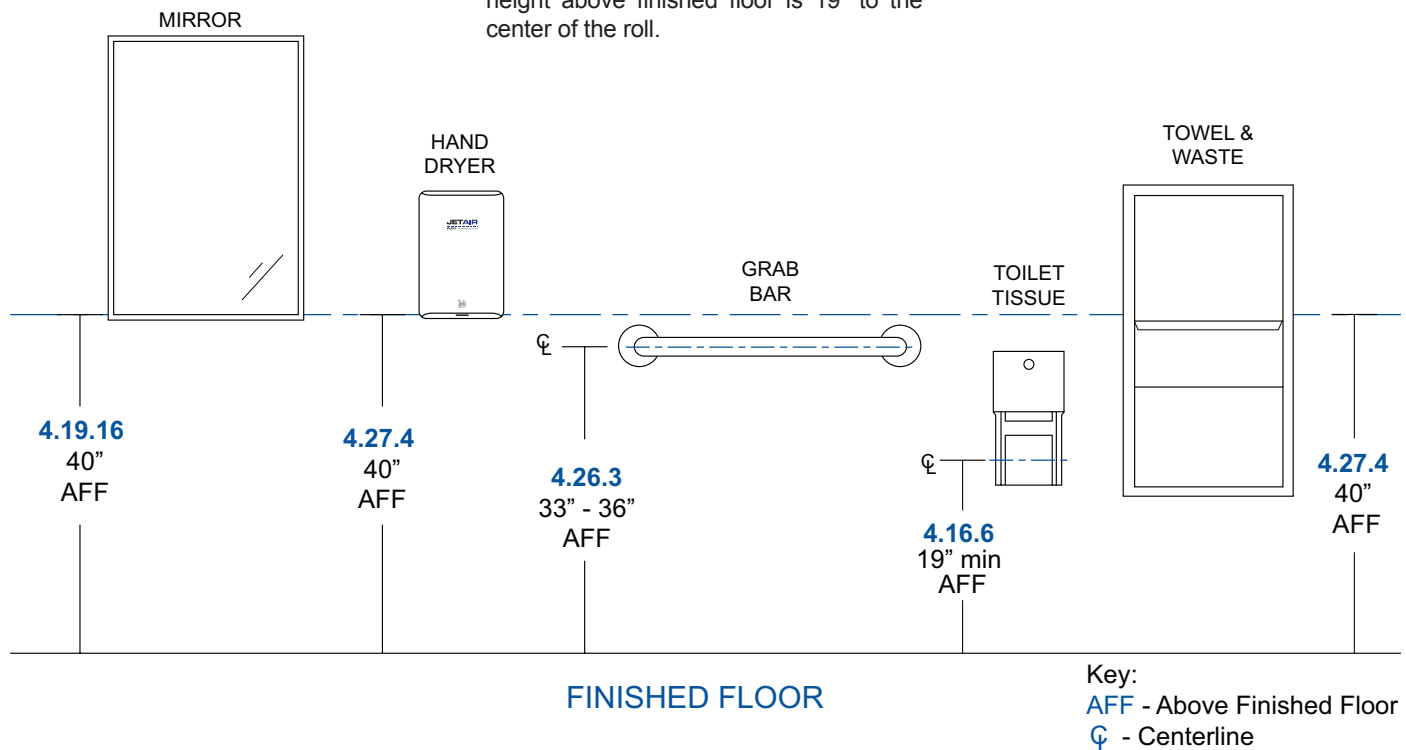
Seating area of the shower seat should be at a height between 17" to 19" above the finished floor.

4.20.3, 4.26.3 – Tub Seats:

Seats should be mounted to wall surface securely and shall not slip during use.

4.4.1 Protruding Objects:

Objects with their leading edges between 27" and 80" (685 mm and 2030 mm) above the finished floor shall protrude no more than 4" (100 mm) into walks, halls, corridors, passageways, or aisles. Objects mounted with their leading edges at or below 27" (685 mm) above the finished floor may protrude any amount. Free-standing objects mounted on posts or pylons may overhang 12" (305 mm) maximum from 27" to 80" (685 mm to 2030 mm) above the finished floor. Protruding objects shall not reduce the clear width of an accessible route or maneuvering space.



HAND DRYERS

JETAIR
AJW A&J Washroom Accessories



U1525EA Shown

Series Overview

All of our automatic hand dryers are manufactured under the JetAir name.

JetAir dryers are highly energy efficient, powerful and reliable. JetAir dryers can be semi-recessed to adhere to Federal ADA guidelines.



All dryers are UL listed.

Warranty Info

JetAir dryers come with a five (5) year warranty to original purchasers against defective materials and workmanship. All units must be installed by a licensed electrician to qualify.

Mounting Guide

JetAir dryers should be mounted at various heights per application. Refer to the chart below for recommended mounting heights.

Mounting	Hands	Hair
Men	46" (1168mm)	73" (1854mm)
Women	44" (1118mm)	68" (1727mm)
ADA	38" (965mm)	46" (1168mm)
Children 6-10	34" (864mm)	43" (1092mm)
Children 11-14	42" (1067mm)	56" (1422mm)



U1511EA Series | Low Profile Hands-Free Dryer

Low profile, ADA compliant hand dryer with automatic operation.

Overall Size:

13"W x 10"H x 4"D
(330mm x 254mm x 101mm)

Universal Voltage:

110V - 240V (variable)

U1511EA-SF (Not Pictured):

Same construction as U1511EA with a satin finish cover



U1512EA Series | High Speed Hands-Free Dryer

High speed, energy efficient hand dryer with automatic operation.

Overall Size:

8 5/64"W x 11 19/64"H x 7 6/64"D
(205mm x 287mm x 180mm)

Air Output Volume:

68 CFM (87-116 m3/h)

Voltage:

120 Volts: U1512EA-120V

230 Volts: U1512EA-230V

U1512EA-SF (Not Pictured):

Same construction as U1512EA with a satin finish cover



U1525EA Series | Hands-Free Dryer with White Cover

Automatic hand dryer with a white enamel cover.

Overall Size:

12 7/8"W x 8 3/4"H x 6 5/8"D
(327mm x 222mm x 168mm)

Voltage:

120 Volts: U1525EA-120V

230 Volts: U1525EA-230V



U1521EA Series | Hands-Free Dryer with Stainless Steel Cover

Automatic hand dryer with a stainless steel cover.

Overall Size:

12 15/16"W x 8 1/2"H x 7"D
(313mm x 216mm x 178mm)

Voltage:

120 Volts: U1521EA-120V

230 Volts: U1521EA-230V

U1521EA-SR (Not Pictured):

U1521EA with semi-recessing kit

Semi-Recessing Kit (Not Pictured):

To order kit separately, use suffix U021

Unit extends 3 3/4" from wall surface



U1512EA-SR | Semi-Recessing Kit with U1512EA

U1512EA with semi-recessing kit.

Overall Size:

14"W x 17 1/2"H x 7 1/4"D
(355mm x 445mm x 184mm)

Wall Opening:

11 1/4"W x 15 3/4"D x 3 3/4"D
(286mm x 400mm x 95mm)

Semi-Recessing Kit:

To order kit separately, use suffix U012

Unit extends 4" from wall surface



U1525EA-SR | Semi-Recessing Kit with U1525EA

U1525EA with semi-recessing kit.

Overall Size:

16"W x 13 1/2"H x 6 5/8"D
(406mm x 343mm x 170mm)

Wall Opening:

14 5/8"W x 12 1/8"H x 3 1/2"D
(373mm x 308mm x 89mm)

Semi-Recessing Kit:

To order kit separately, use suffix U025

Unit extends 3 3/8" from wall surface

SOAP DISPENSERS



U125 Shown

Series Overview

AJW soap dispensers come in a variety of designs, soap capacities and finishes. To adhere to ADA guidelines designated manual soap dispensers can be operated with one hand and less than 5 lbs of force or less. We also offer hands-free, battery operated automatic dispensers.

Replacement Valves

We offer replacement valves for our soap dispensers. Refer to the chart below.

Valve	Soap Dispenser
U001U-TAP	U130, U130A
U001-P25	U120, U122, U124, U126, U125

Care & Cleaning

All soap tanks, valves, and globes must be cleaned periodically to avoid sludge and soap build up. This is important since the majority of operational issues for soap dispensers are due to improper maintenance and lack of cleaning. While cleaning, do not remove or take valves apart as this creates problems with the seals and may cause a bypass leak.

Flush valves with warm water. If the water does not flow through the valve after cleaning, repeat the procedure.

Make sure you are using the right soap in your dispensers. The proper viscosity is imperative for trouble free operation.



U103 | Single Cartridge Plastic Soap Dispenser

Plastic, liquid soap dispenser with multiple soap cartridge capacities.

Overall Size:

6 1/8"W x 10 3/8"H x 4 7/8"D
(156mm x 264mm x 124mm)

Capacity:

One 500ml or 1,000ml bag-in-a-box

U104 (Not Pictured):

Two 500ml bag-in-a box

U105 (Not Pictured):

Same as U104 with, stainless steel cover in lieu of plastic



U106 | Foot Operated Soap Dispenser

Foot operated soap dispenser for hospital scrub rooms and other sterile environments.

Overall Size:

4"W x 9 1/4"H (7" spout)
(114mm x 235mm)

Capacity:

32 fl. oz.



U109 | Plastic Bulb Gravity Soap Dispenser

Wall mounted soap dispenser. Plastic globe displays constant soap level.

Overall Size:

4"W x 7"H x 5 1/4"D
(102mm x 178mm x 133mm)

Capacity:

16 fl. oz.



U115 | Stainless Steel Powder Soap Dispenser

Powder soap dispenser fabricated of stainless steel with a satin finish.

Overall Size:

4 7/16"W x 7 1/8"H x 4 5/8"D
(114mm x 181mm x 119mm)

Capacity:

32 oz



U116 | Plastic Wall Mounted Pump Soap Dispenser

Wall mounted soap dispenser with a clear plastic globe to monitor remaining soap level.

Overall Size:

3 3/8"W x 6 3/4"H x 5 1/8"D
(86mm x 171mm x 130mm)

Capacity:

16 fl. oz.



U117 | Chrome Bulb Pump Soap Dispenser

Liquid soap dispenser in polished, chrome plated brass housing.

Overall Size:

3 3/16"W x 6"H x 6 1/8"D
(81mm x 152mm x 156mm)

Capacity:

12 fl. oz.



U120 | Shelf & Soap Dispenser Combination Unit

Stainless steel soap dispenser and utility shelf combination unit.

Overall Size:

20"W x 3 1/4"H x 5 1/4"D
(508mm x 82mm x 127mm)

Capacity:

120 fl. oz.

U122 (Not Pictured):

Same as U120, with dual valves in lieu of a single valve.



U124 | Horizontal Wall Mounted Liquid Soap Dispenser

Horizontal, stainless steel, wall mounted, liquid soap dispenser with a fluid level indicator.

Overall Size:

8 1/4"W x 4 3/4"H x 3 1/2"D
(210mm x 121mm x 89mm)

Capacity:

40 fl. oz.



U125 | Square Wall Mounted Liquid Soap Dispenser

Square, stainless steel, wall mounted, liquid soap dispenser with a fluid level indicator.

Overall Size:

7 3/8"W x 6 5/8"H x 3 1/2"D
(188mm x 170mm x 95mm)

Capacity:

45 fl. oz.



U126 | Vertical Wall Mounted Liquid Soap Dispenser

Stainless steel, wall mounted, liquid soap dispenser with fluid level indicator.

Overall Size:

4 3/4"W x 8 1/4"H x 3 1/2"D
(121mm x 210mm x 89mm)

Capacity:

40 fl. oz.

U127 (Not Pictured):

Push-up valve in lieu of standard front-mounted valve

U112 (Not Pictured):

Formed steel powder soap dispenser



U136EA | Vanity Mounted Hands-Free Soap Dispenser

Automatic, vanity mounted soap dispenser with a bright chrome finish.

Overall Size:

5 1/2"D x 4 1/4"H
(140mm x 108mm)

Capacity:

1600 ml refill bag (54 fl. oz.)



U144 | Plastic Tank Wall Mounted Soap Dispenser

High impact plastic all purpose soap dispenser with a translucent body.

Overall Size:

5"W x 8"H x 4"D
(140mm x 216mm x 114mm)

Capacity:

46 fl. oz.



U128PC | Vanity Mounted Liquid Soap Dispenser

Vanity mounted soap dispenser with a polished 4" stainless steel spout.

Overall Size:

2 1/2" (156mm) above vanity

Capacity:

34 fl. oz.

U128PCA (Not Pictured):

Same as U128PC with a 6" spout.

U129PC (Not Pictured):

Same as U128PC with 16. fl. oz. soap capacity

U129PCA (Not Pictured):

Same as U129PC with a 6" spout



U1304 | Recessed Uni-Door™ Liquid Soap Dispenser

Recessed, Uni-Door™ stainless steel soap dispenser with tamper resistant valve and Lexon tank.

Overall Size:

10"W x 6"H x 6 5/8"D
(253mm x 152mm x 168mm)

Wall Opening:

9 1/8"W x 5 1/16"H x 4"D
(232mm x 129mm x 102mm)

Capacity:

56 fl. oz.

U1314 (Not Pictured):

7 1/4"W x 7 1/4"H x 3 3/4"D with 34 fl. oz. soap capacity



U133 | Uni-body Liquid Soap Dispenser

Surface mounted stainless steel soap dispenser with tamper resistant valve and Lexon tank.

Overall Size:

8 3/4"W x 6 3/4"H x 6 3/8"D
(222mm x 171mm x 161mm)

Capacity:

56 fl. oz.



U135EA | Hands-Free Soap Dispenser

Battery operated soap dispenser with a fluid level indicator and stainless steel cover.

Overall Size:

4 3/4"W x 10 5/8"H x 4 1/8"D
(121mm x 271mm x 105mm)

Capacity:

34 fl. oz.

Batteries not supplied



U134EA | Hands-Free Soap Dispenser

Battery operated soap dispenser in a white high impact casing.

Overall Size:

4 3/8"W x 10 3/8"H x 4 1/4"D
(111mm x 264mm x 108mm)

Capacity:

34 fl. oz.

Batteries not supplied



U156 | Push-Up Valve Soap Dispenser

Wall mounted soap dispenser with a translucent globe to check soap level.

Overall Size:

4"W x 9 7/8"H x 4 1/8"D
(102mm x 251mm x 105mm)

Capacity:

32 fl. oz.

 U155 (Not Pictured):

Same as U156 with, 24 fl. oz. capacity

TOWEL DISPENSERS



U169AW Shown

Series Overview

AJW offers a wide variety of towel dispensing units which adhere to ADA guidelines for mounting and operation. All dispensing areas are hemmed and deburred to prevent towel tearing and injury.

Available Collars

Overall Unit Depth	Collars Available
2"	-SM
4"	-S2, -SM
6"	-S2, -S4, -SM
10"	-S2, -S4, -S6, -S8, -SM

Collars

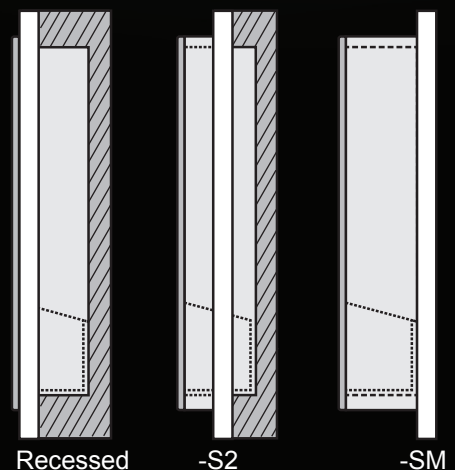
Collars are available wherever walls do not permit full recessing.

Suffix	Description
-S2	2" semi-recessing collar suitable when full recessing is not possible.
-S4	4" semi-recessing collar suitable when full recessing is not possible.
-S6	6" semi-recessing collar suitable when full recessing is not possible.
-SM	Surface mounted collar when recessing is not possible.

Example

For a unit whose overall depth is 4", an S2 collar leaves 2" of the unit exposed and the remainder (2" in this case) recessed into the wall.

Finished Wall (Side View)





U169AW | Lever Operated Roll Towel Dispenser

Lever operated roll towel dispenser in a stainless steel cabinet.

Overall Size:

12 1/4"W x 16"H x 10 1/2"D (lever)
(311mm x 406mm x 267mm)

Capacity:

One 8" or 9" wide roll



U169EA | Automatic Roll Towel Dispenser

Battery operated automatic roll towel dispenser in a stainless steel cabinet.

Overall Size:

12 1/4"W x 16"H x 9"D
(311mm x 406mm x 228mm)

Capacity:

One 8" or 9" wide roll

Batteries not supplied



U169FL | Lever Operated Roll Towel Dispenser

Full width lever operated roll towel dispenser in a stainless steel cabinet.

Overall Size:

12 1/4"W x 16"H x 9"D
(311mm x 406mm x 228mm)

Capacity:

One 8" or 9" wide roll



U169HF | Hands-Free Roll Towel Dispenser

Roll towel dispenser with pull mechanism in a stainless steel cabinet.

Overall Size:

12 1/4"W x 16"H x 9"D
(311mm x 406mm x 228mm)

Capacity:

One 8" or 9" wide roll



U176 | Vanity Mounted Towel Dispenser

A vanity mounted, recessed folded towel dispenser.

Overall Size:

6"W x 12 3/4"L x 11 3/8"D
(152mm x 323mm x 289mm)

Capacity:

300 C-Fold or 400 Multifold towels

Minimum clearance required under counter top is 11 1/8"



U180 | Stainless Steel Towel Dispenser

Wall mounted folded towel dispenser with uni-body design.

Overall Size:

11"W x 14 1/2"H x 4"D
(279mm x 368mm x 102mm)

Capacity:

400 C-Fold or 525 Multifold towels

U181 (Not Pictured):

Same as U180 with a white enamel cover in lieu of stainless steel

U180-TK (Not Pictured):

Same as U180 with twist lock in lieu of keyed lock



U180A | Stainless Steel Folded Towel Dispenser

Wall mounted folded towel dispenser with uni-body design.

Overall Size:

11"W x 8"H x 4"D
(279mm x 203mm x 102mm)

Capacity:

200 C-Fold or 325 Multifold towels

U180A-TK (Not Pictured):

Same as U180A with twist lock in lieu of keyed lock



U190 | Stainless Steel Single Folded Towel Dispenser

Stainless steel, wall mounted single fold towel dispenser.

Overall Size:

11 1/2"W x 7 1/2"H x 6"D
(292mm x 191mm x 152mm)

Capacity:

400 single fold towels

U190-TK:

Same as U190 with twist lock in lieu of keyed lock



U194 | Aluminum Paper Towel Roll Holder

Satin aluminum roll towel dispenser for household style rolls.

Overall Size:

13"W x 1 3/4"H x 4"D
(330mm x 44mm x 102mm)

Capacity:

One standard paper towel roll



U199AW | Plastic Body Roll Towel Dispenser

Lever operated roll towel dispenser with high impact white plastic cover.

Overall Size:

12"W x 15"H x 10 1/2"D
(305mm x 381mm x 267mm)

Capacity:

One 8" or 9" wide roll



U199EA | Plastic Body Roll Towel Dispenser

Battery operated automatic roll towel dispenser with plastic cover.

Overall Size:

11 1/4 W" x 15"H x 9 1/4"D
(286mm x 381mm x 235mm)

Capacity:

One 8" or 9" wide roll

Batteries not supplied



U199HF | Plastic Body Roll Towel Dispenser

Hands-free towel dispenser with a high impact plastic cover.

Overall Size:

10 1/2"W x 15 3/4"H x 8 5/8"D
(268mm x 400mm x 219mm)

Capacity:

One 8" or 9" wide roll



U210 | Recessed Folded Towel & Soap Dispenser Combination

Combination towel and soap dispenser with mirror door.

Overall Size:
17 1/4"W x 30"H x 4 1/4"D
(438mm x 762mm x 108mm)

Wall Opening:
15 3/4"W x 28 1/2"H x 4"D
(400mm x 648mm x 102mm)

Towel Capacity:
600 C-Fold or 800 Multifold towels

Soap Capacity:
100 fl. oz.

[See page 14 for collar options](#)



U230 | Recessed Folded Towel Dispenser

Recessed folded towel dispenser.

Overall Size:
14 1/4"W x 26"H x 4 1/4"D
(362mm x 660mm x 108mm)

Wall Opening:
12 3/4"W x 24 1/2"H x 4"D
(324mm x 622mm x 102mm)

Capacity:
600 C-Fold or 800 Multifold towels

[See page 14 for collar options](#)



U232 | Recessed Folded Towel Dispenser

Recessed folded towel dispenser.

Overall Size:
14 1/4"W x 18"W x 4 1/4"D
(362mm x 457mm x 108mm)

Wall Opening:
12 3/4"W x 16 1/2"H x 4"D
(324mm x 419mm x 102mm)

Capacity:
350 C-fold or 475 Multifold Towels

[See page 14 for collar options](#)



U2304 | Uni-Door™ Recessed Folded Towel Dispenser

Recessed, Uni-Door™ folded towel dispenser.

Overall Size:
14 1/2"W x 26 1/4"H x 4 1/4"D
(368mm x 660mm x 108mm)

Wall Opening:
12 3/4"W x 24 1/2"H x 4"D
(324mm x 622mm x 102mm)

Capacity:
600 C-Fold or 800 Multifold towels

[See page 14 for collar options](#)



U2324 | Uni-Door™ Recessed Folded Towel Dispenser

Recessed Uni-Door™ folded towel dispenser.

Overall Size:
14 1/2"W x 18 1/4"H x 4 1/4"D
(368mm x 464mm x 108mm)

Wall Opening:
12 3/4"W x 16 1/2"H x 4"D
(324mm x 419mm x 102mm)

Capacity:
350 C-fold or 475 Multifold towels

[See page 14 for collar options](#)



U280 | Concealed Recessed Folded Towel Dispenser

Towel dispenser with concealed, in-wall recessing.

Overall Size:
11"W x 19 1/8"H x 4 1/4"D
(230mm x 485mm x 108mm)

Wall Opening:
11 1/4"W x 19 1/4" H x 4 1/4"D
(285mm x 489mm x 108mm)

Capacity:
600 C-Fold or 800 Multifold towels

TOWEL & WASTE COMBINATIONS

Series Overview

AJW towel and waste combination units are space efficient and, when properly installed, adhere to ADA guidelines for accessibility. Products in this series can be fitted with collars for surface mounting or semi-recessing.

Uni-Door™

All Uni-Door™ cabinets feature seamless one-piece 18 gauge door construction. Half inch returns provide maximum strength and rigidity.

Collars

Collars are available for all AJW cabinets wherever walls do not permit full recessing. Collars can be installed in the field after cabinet has been shipped to the job location. Collars are available in 2" increments.

See page 16 for mounting guide.

Suffix	Description
-S2	2" semi-recessing collar suitable when full recessing is not possible.
-S4	4" semi-recessing collar suitable when full recessing is not possible.
-S6	6" semi-recessing collar suitable when full recessing is not possible.
-SM	Surface mounted collar used when recessing and semi-recessing are not possible.

Available Collars

Overall Unit Depth	Collars Available
2"	-SM
4"	-S2, -SM
6"	-S2, -S4, -SM
10"	-S2, -S4, -S6, -S8, -SM



U659AW Shown



U601 | Recessed Folded Towel & Waste Combination

Recessed folded towel dispenser and waste receptacle.

Overall Size:
14 1/4"W x 54"H x 6 1/4"D
(362mm x 1372mm x 159mm)

Wall Opening:
12 3/4"W x 52 1/2"H x 6"D
(324mm x 1334mm x 152mm)

Towel Capacity:
600 C-Fold or 800 Multifold or
1200 Single fold

Waste Capacity:
6 Gallons

U602 (Not Pictured):
Same as U601, with 4 1/4" depth
See page 14 for collar options

U6018B | Recessed Folded Towel & Waste Combination

Recessed folded towel dispenser and waste receptacle with 8B mirror finish on top door.

Overall Size:
14 1/4"W x 54"H x 6 1/4"D
(362mm x 1372mm x 159mm)

Wall Opening:
12 3/4"W x 52 1/2"H x 6"D
(324mm x 1334mm x 152mm)

Towel Capacity:
600 C-Fold or 800 Multifold or
1200 Single fold

Waste Capacity:
6 Gallons

See page 14 for collar options

U6104EA | Uni-Door™ Roll Towel & Waste Combination

Uni-Door™, battery operated automatic roll towel dispenser with waste receptacle.

Overall Size:
14 5/8"W X 54 1/4"H X 10"D
(362mm x 1377mm x 254mm)

Wall Opening:
12 3/4"W x 52"H x 9 3/4"D
(371mm x 1320mm x 247mm)

Towel Capacity:
One 8" or 9" wide roll

Waste Capacity:
6 Gallons

Batteries not supplied

See page 14 for collar options



U600 | Recessed Folded Towel & Waste Combination Unit

Recessed folded towel dispenser and waste receptacle.

Overall Size:

14 1/2"W x 74 1/4"H x 6 1/4"D
(362mm x 1842mm x 152mm)

Wall Opening:

12 3/4"W x 72 1/2"H x 6"D
(324mm x 1842mm x 152mm)

Towel Capacity:

600 C-fold, 800 Multifold or
1200 Single fold

Waste Capacity:

10 1/2 Gallons

See page 14 for collar options

U6054 | Uni-Door™ Recessed Towel & Waste Combination

Uni-Door™ folded towel dispenser and waste receptacle.

Overall Size:

17 1/2"W x 54 1/4"H x 6 1/4"D
(445mm x 1378mm x 159mm)

Wall Opening:

15 3/4"W x 52"H x 6"D
(400mm x 1339mm x 152mm)

Towel Capacity:

600 C-Fold or 800 Multifold or
1200 Single fold

Waste Capacity:

10 Gallons

See page 14 for collar options

U6014 | Uni-Door™ Recessed Towel & Waste Combination

Uni-Door™ folded towel dispenser and waste receptacle.

Overall Size:

14 1/2"W x 54 1/4"H x 6 1/4"D
(368mm x 1377mm x 159mm)

Wall Opening:

12 3/4"W x 52 1/2"H x 6"D
(324mm x 1334mm x 152mm)

Towel Capacity:

600 C-Fold or 800 Multifold or
1200 Single fold

Waste Capacity:

6 Gallons

U6084 (Not Pictured):

Same as U6014 with push-panel door

U6024 (Not Pictured):

Same as U6014, with 4 1/4"D

See page 14 for collar options



U646AW | Recessed Roll Towel & Waste Combination

Lever operated roll towel dispenser and waste receptacle.

Overall Size:
14 1/4"W x 48"H x 10 1/4"D
(362mm x 1219mm x 260mm)

Wall Opening:
12 3/4"W x 46 1/2"H x 10"D
(324mm x 1181mm x 254mm)

Towel Capacity:
One 8" or 9" wide roll.

Waste Capacity:
8 1/2 Gallons

U646EA (Not Pictured):
Same as U656AW, with battery operated automatic operation

Batteries not supplied

See page 14 for collar options

U618 | Recessed Folded Towel & Waste Combination

Recessed folded towel dispenser and waste receptacle.

Overall Size:
14 1/4"W x 18"H x 4 1/4"D
(362mm x 457mm x 108mm)

Wall Opening:
12 3/4"W x 16 1/2"H x 4"D
324mm x 419mm x 102mm

Towel Capacity:
100 C-Fold or 150 Multifold

Waste Capacity:
1 1/2 Gallons

See page 14 for collar options

U6184 | Recessed Folded Towel & Waste Combination

Uni-Door™ folded towel dispenser and waste receptacle.

Overall Size:
14 1/2"W x 18"H x 4 1/4"D
(362mm x 457mm x 108mm)

Wall Opening:
12 3/4"W x 16 1/2"H x 4"D
324mm x 419mm x 102mm

Towel Capacity:
100 C-Fold or 150 Multifold

Waste Capacity:
1 1/2 Gallons

See page 14 for collar options



U626 | Recessed Folded Towel & Waste Combination

Recessed folded towel dispenser and waste receptacle.

Overall Size:

14 1/4"W x 26"H x 4 1/4"D
362mm x 660mm x 108mm

Wall Opening:

12 3/4"W x 24 1/2"H x 4"D
(324mm x 622mm x 102mm)

Towel Capacity:

350 C-Fold or 475 Multifold

Waste Capacity:

2 Gallons

See page 14 for collar options



U627 | Recessed Folded Towel & Waste Combination

Recessed folded towel dispenser with extended waste receptacle.

Overall Size:

14 1/4"W x 26"H x 6 1/4"D
(362mm x 660mm x 159mm)

Wall Opening:

12 3/4"W x 24 1/2"H x 4"D
(324mm x 622mm x 102mm)

Towel Capacity:

350 C-Fold or 475 Multifold

Waste Capacity (ext.):

2.65 Gallons (2" ext.)

See page 14 for collar options



U6264 | Recessed Folded Towel & Waste Combination

Uni-Door™ folded towel dispenser and waste receptacle.

Overall Size:

14 1/2"W x 26"H x 4 1/4"D
368mm x 660mm x 108mm

Wall Opening:

12 3/4"W x 24 1/2"H x 4"D
(324mm x 622mm x 102mm)

Towel Capacity:

350 C-Fold or 475 Multifold

Waste Capacity:

2 Gallons

See page 14 for collar options



U650 | Recessed Folded Towel & Waste Combination

Recessed folded towel dispenser and extended waste receptacle.

Overall Size:

17 1/4"W x 54"H x 8 1/4"D
(438mm x 1219mm x 209mm)

Wall Opening:

15 3/4"W x 52 1/2"H x 4"D
400mm x 1339mm x 101mm

Towel Capacity:

600 C-Fold or 800 Multifold

Waste Capacity (ext.):

12 Gallons (4" ext.)

See page 14 for collar options

U659EA | Recessed Roll Towel & Waste Combination

Extended waste receptacle with battery operated automatic roll towel dispenser.

Overall Size:

14 1/4"W x 54"H x 10 1/4"D
(362mm x 1372mm 260mm)

Wall Opening:

12 3/4"W x 52 1/2"H x 4"D
(324mm x 1334mm x 271mm)

Towel Capacity:

One 8" or 9" wide roll

Waste Capacity:

12 Gallons (6" ext.)

Batteries not supplied

U659AW (Not Pictured):

Same as U659EA, with lever operation

 **U659CP (Not Pictured):**

Same as U659EA, with center pull dispensing operation

See page 14 for collar options

U659HF | Recessed Roll Towel & Waste Combination

Extended waste receptacle with hands-free roll towel dispenser.

Overall Size:

14 1/4"W x 54"H x 10 1/4"D
(362mm x 1372mm 260mm)

Wall Opening:

12 3/4"W x 52 1/2"H x 4"D
(324mm x 1334mm x 271mm)

Towel Capacity:

One 8" or 9" wide roll

Waste Capacity:

12 Gallons (6" ext.)

See page 14 for collar options



U660AW | Recessed Roll Towel & Waste Combination

Extended waste receptacle with lever-operated roll towel dispenser.

Overall Size:

17 1/4"W x 54"H x 12"D
438mm x 1372mm 305mm

Wall Opening:

15 3/4"W x 52 1/2"H x 10"D
(400mm x 1334mm x 254mm)

Towel Capacity:

One 8" or 9" wide roll

Waste Capacity:

17 Gallons (2" ext.)

U660EA (Not Pictured):

Same as U660AW, with battery operated automatic operation

Batteries not supplied

U660HF (Not Pictured):

Same as U660AW, with hands free operation

U660FL (Not Pictured):

Same as U660AW, with full width lever operation

See page 14 for collar options

U661AW | Recessed Roll Towel & Waste Combination

Extended waste receptacle with lever operated towel dispenser and storage shelf behind door.

Overall Size:

17 1/4"W x 54"H x 14 1/4"D
(438mm x 1372mm 362mm)

Wall Opening:

15 3/4"W x 52 1/2"H x 10"D
(400mm x 1334mm x 254mm)

Towel Capacity:

One 8" or 9" wide roll

Waste Capacity:

13 Gallons (4" ext.)

U661EA (Not Pictured):

Same as U661AW with battery operated automatic operation

Batteries not supplied

U661FL (Not Pictured):

Same as U661AW, with full width lever operation

See page 14 for collar options

U640 | Recessed Folded Towel & Waste Combination

Recessed folded towel dispenser and waste receptacle.

Overall Size:

14 1/4"W x 48"H x 4 1/4"D
(362mm x 1219mm x 108mm)

Wall Opening:

12 3/4"W x 46 1/2"H x 4"D
(324mm x 1181mm x 102mm)

Towel Capacity:

600 C-Fold or 800 Multifold

Waste Capacity:

3 Gallons

See page 14 for collar options



U670AW | Recessed Roll Towel & Waste Combination

Recessed roll towel dispenser and extended waste receptacle.

Overall Size:

17 1/4"W x 54"H x 8 1/4"D
(438mm x 1219mm x 209mm)

Wall Opening:

15 3/4"W x 52 1/2"H x 4"D
400mm x 1339mm x 101mm

Towel Capacity:

One 8" or 9" wide roll

Waste Capacity (ext.):

12 Gallons (4" ext.)

U670EA (Not Pictured):

Same as U670AW, with battery operated automatic operation

Batteries not supplied

See page 14 for collar options

U648 | Recessed Folded Towel & Waste Combination

Recessed folded towel dispenser and extended waste receptacle.

Overall Size:

17 1/4"W x 48"H x 6 1/4"D
(438mm x 1219mm x 159mm)

Wall Opening:

15 3/4"W x 46 1/2"H x 6"D
400mm x 1181mm x 152mm

Towel Capacity:

600 C-Fold or 800 Multifold

Waste Capacity (ext.):

6 1/2 Gallons (4" ext.)

See page 14 for collar options

U674 | Vanity Mounted Towel & Waste Door Combination

Vanity mounted towel dispenser and push-panel waste door.

Overall Size:

12 3/4"W x 14 1/4"H x 11 1/2"D
(323mm x 361mm x 292mm)

Countertop Opening:

12"W x 13 1/2"H
(304mm x 342mm)

Towel Capacity:

300 C-Fold or 400 Multifold

*Waste receptacle must be purchased separately

WASTE RECEPTACLES

Series Overview

AJW waste receptacles come in a variety of different waste capacities. Like our combination units, collars can be installed for semi-recessing and surface mounting options.

Collars

Stainless steel collars are available when walls do not permit full or semi-recessing. Collars can be installed in the field after the cabinet has been shipped to the job location.

See page 14 for mounting guide.

Suffix	Description
-S2	2" semi-recessing collar suitable when full recessing is not possible.
-S4	4" semi-recessing collar suitable when full recessing is not possible.
-S6	6" semi-recessing collar suitable when full recessing is not possible.
-SM	Surface mounted collar used when recessing and semi-recessing are not possible.

Additional Options

Unit	Capacity
VL1	13 gallon liner
VL2	25 gallon liner
VL3	2.75 gallon liner
VL7	7 gallon liner
VL36	36 gallon liner



U410 Shown



U410 | Semi-Recessed Waste Receptacle

Semi-recessed waste receptacle with a removable, extended waste can.

Overall Size:
17 1/4"W x 30"H x 8 1/4"D
(438mm x 762mm x 203mm)

Wall Opening:
12 3/4"W x 28 1/2"H x 4"D
(324mm x 723mm x 102mm)

Capacity:
12 Gallons (4" ext.)

See page 14 for collar options



U440 | Recessed Stainless Steel Waste Receptacle

Recessed waste receptacle with a push-panel door.

Overall Size:
17 1/4"W x 30"H x 6 1/4"D
(438mm x 762mm x 159mm)

Wall Opening:
15 3/4"W x 28"H x 6"D
(400mm x 724mm x 152mm)

Capacity:
6 1/2 Gallons

See page 14 for collar options



U4484 | Uni-Door™ Stainless Steel Waste Receptacle

Uni-Door™ waste receptacle with a push-panel door.

Overall Size:
14 1/2"W x 48 1/4"H x 6 1/4"D
(368mm x 1226mm x 159mm)

Wall Opening:
12 3/4"W x 46 1/2"H x 6"D
(324mm x 1181mm x 152mm)

Capacity:
9 1/2 Gallons

See page 14 for collar options



U472 Series | Free Standing Waste Receptacles

Free standing waste receptacle series.

U472-13 Overall Size:
14"W x 14"D x 29 1/4"H
(355mm x 555mm x 743mm)

Capacity:
13 Gallons

Additional Capacities:

Model	Capacity
U472-25	25 Gallons
U472-36	36 Gallons

U470 Series:
Same as U472 series, without swing top



U450 Series | Surface Mounted Waste Receptacles

Surface mounted, open-top waste can.

U450-21 Overall Size:
15 1/4"W x 12"H x 23"D
(387mm x 584mm x 305mm)

Capacity:
21 Gallons

Additional Capacities:

Model	Capacity
U450-2	2 Gallons
U450-5	5 Gallons
U450-7	7 Gallons
U450-12	12 Gallons



U480 | Circular Countertop Waste Chute

Vanity mounted circular waste chute.

Overall Size:
6 11/16" OD x 4 13/16"D
(148mm x 122mm)

Countertop Opening:
5 13/16" diameter
(170mm)

FEMININE HYGIENE ACCESSORIES

Series Overview

This series includes dispensers and disposal options. Each dispenser is available with multiple coinage options and independent mechanisms. All Waste disposal units are designed to maintain a hygienic environment and are easy to empty.

Product Information

All feminine product dispensers will hold napkin and tampon packages of the following dimensions:

Napkins:

Min: 2 5/8"W x 4 1/8"L x 3/4"H
Max: 3 1/8"W x 4 1/2"L x 1 1/8"H

Tampons:

Min: 5/8" Dia. 4 1/4"L
Max: 3/4" Dia. 5 1/8"L

Options & Coinage

When ordering specify coinage:
(ex. U510-25)

Coinage	Suffix
\$.25	-25
\$.50	-50
Free	-FREE

NDL-13-50: Disposable waxed liners for the sanitary napkin disposals.

Case Count: 50 pcs.



U526 Shown



U510 | Dual Sanitary Napkin & Tampon Dispenser

Recessed napkin and tampon vendor with multiple coinage options.

Overall Size:
17 1/2"W x 27 1/2"H x 4 3/4"D
(444mm x 698mm x 107mm)

Wall Opening:
15 3/4"W x 25 3/4"H x 4 1/4"D
(400mm x 654mm x 108mm)

Capacity:
Napkins: 15, Tampons: 23

See page 14 for collar options



U526 | High Capacity Napkin & Tampon Dispenser

Semi-recessed napkin & tampon dispenser with high capacity.

Overall Size:
13 1/2"W x 28"H x 6 1/2"D
(343mm x 711mm x 165mm)

Wall Opening:
11 3/4"W x 26 1/4"H x 1" min – 6" max.
(298mm x 667mm x 25mm-152mm)

Capacity:
Napkins: 30, Tampons: 27

U526-SM (Not Pictured):
Surface mounted dispenser



U590 | Sanitary Napkin Disposal with Access Panel

Surface mounted waste receptacle with hinged servicing panel option.

Overall Size:
9"W x 10"H x 4"D
(229mm x 254mm x 102mm)

Capacity:
2 Gallon

U591 (Not Pictured):
Same as U590, without lower servicing panel

U592 (Not Pictured):
Same as U590, with utility shelf



U580 | Partition Mounted Sanitary Napkin Disposal

Partition mounted napkin disposal with adjustable flange to fit partitions.

Overall Size:
13"W x 17 1/4"H x 4"D
(330mm x 438mm x 108mm)

Partition Opening:
11 1/2"W x 15 3/4"H (1/2"-1 1/4" thick)
(292mm x 400mm)

Capacity:
1.5 Gallon



U581 | Recessed Sanitary Napkin Disposal

Recessed napkin disposal with push-panel door.

Overall Size:
13"W x 17 1/4"H x 4"D
(330mm x 438mm x 108mm)

Wall Opening:
11 1/2"W x 15 1/2"H x 4"D
(292mm x 394mm x 108mm)

Capacity:
1.5 Gallon

U5814 (Not Pictured):
Same as U581 with 18 gauge Uni-Door™ construction



U582 | Surface Mounted Sanitary Napkin Disposal

Surface mounted napkin disposal with push-panel door.

Overall Size:
13"W x 17 1/4"H x 4"D
(330mm x 438mm x 108mm)

Capacity:
1.5 Gallon

RESTROOM STALL ACCESSORIES

Series Overview

Restroom stall accessories are designed and fabricated for any application with numerous mounting styles available. Our stainless steel combination units come equipped with and without sanitary napkin disposal for women's and men's stall applications.

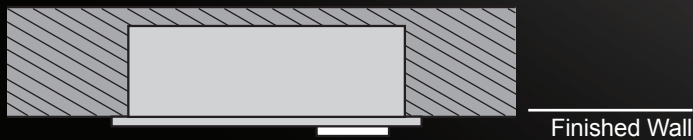
Options

U007 – Spindle Adapter: Prevents theft of toilet tissue spindles. See technical data for more information.

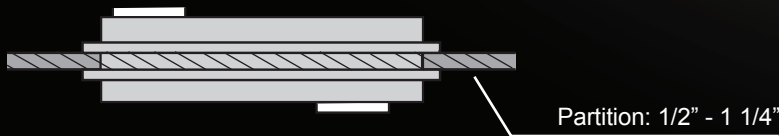
Mounting Guide

AJW restroom stall accessories can be mounted in several ways. See below for an explanation of each style.

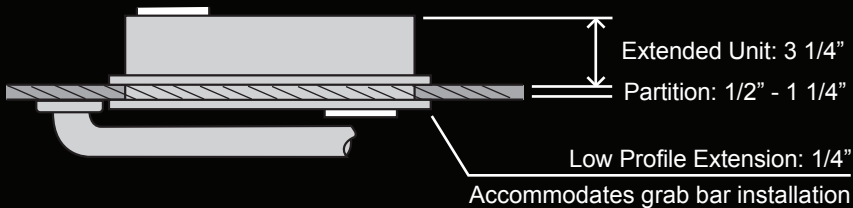
Recessed (ex. U860)



Partition Mounted (ex. U861)



Partition Mounted with Grab Bar Installation (ex. U861H)



U861 Shown



U850 | Recessed Toilet Seat Cover Dispenser

Recessed seat cover dispenser.

Overall Size:

17 1/4"W x 12 3/4"H x 2 5/8"D
(438mm x 324mm x 68mm)

Wall Opening:

15 3/4"W x 11 1/4"H x 2 3/8"D
(400mm x 286mm x 60mm)

Capacity:

500 single fold seat covers

U850-SM (Not Pictured):

Surface mounted seat cover dispenser



U8504 | Uni-Door™ Toilet Seat Cover Dispenser

Uni-Door™ seat cover dispenser.

Overall Size:

17 1/2"W x 13 1/4"H x 2 5/8"D
(445mm x 337mm x 68mm)

Wall Opening:

15 3/4"W x 11 1/4"H x 2 1/8"D
(400mm x 286mm x 54mm)

Capacity:

500 single fold seat covers



U851 | Surface Mounted Toilet Seat Cover Dispenser

Surface mounted seat cover dispenser.

Overall Size:

15 3/4"W x 11"H x 1 3/4"D
(400mm x 279mm x 44mm)

Capacity:

500 single fold seat covers



U852 | Partition Mounted Toilet Seat Cover Dispenser

Partition mounted seat cover dispenser.

Overall Size:

17"W x 12 3/4"H x 4 1/4"D
(445mm x 337mm x 108mm)

Partition Opening:

15 3/4"W x 11 1/4"H (1/2"-1 1/4" thick)
(400mm x 324mm)

Capacity:

500 single fold seat covers



U862 | Recessed Toilet Tissue & Napkin Dispenser

Recessed toilet tissue dispenser and sanitary disposal.

Overall Size:

17 1/4"W x 12 3/4"H x 4 1/4"D
(438mm x 324mm x 108mm)

Wall Opening:

15 3/4"W x 11"H x 4"D
(400mm x 279mm x 102mm)

Waste Capacity:

1 Gallon

Toilet Tissue:

Two standard rolls 1000 sheet two ply or 1500 sheet single ply rolls



U862-SM | Dual Toilet Tissue & Napkin Dispenser

Surface mounted toilet tissue dispenser and napkin disposal.

Overall Size:

15 1/4"W x 10 3/4"H x 4"D
(387mm x 273mm x 101mm)

Waste Capacity:

1 Gallon

Toilet Tissue:

Two standard rolls 1000 sheet two ply or 1500 sheet single ply rolls



U861 | Partition Toilet Seat Cover, Toilet Tissue Dispenser & Napkin Disposal Combination

Partition mounted combination unit.

Overall Size:

17 1/4"W x 32 3/4"H x 4 1/4"D
(438mm x 832mm x 108mm)

Partition Opening:

15 3/4"W x 31 3/4"H (1/2"-1 1/4" thick)
(400mm x 806mm)

Waste Capacity:

2 Gallons

Toilet Tissue Capacity:

4 Standard Rolls

Seat Cover Capacity:

1,000 single fold seat covers

U861A (Not Pictured):

Same as U861A, without waste disposal

U861H | Partition Toilet Seat Cover, Toilet Tissue Dispenser & Napkin Disposal Combination

Partition mounted combination unit flush mounted to accommodate grab bar installation (grab bar ordered separately).

Overall Size:

17 1/4"W x 32 3/4"H x 4 1/4"D
(438mm x 832mm x 108mm)

Partition Opening:

15 3/4"W x 31 3/4"H (1/2"-1 1/4" thick)
(400mm x 806mm)

Waste Capacity:

2 Gallons

Toilet Tissue Capacity:

4 Standard Rolls

Seat Cover Capacity:

1,000 single fold seat covers

U861AH (Not Pictured):

Same as U861H, without waste disposal

U860A | Recessed Toilet Seat Cover & Dual Toilet Tissue Dispenser Combination

Recessed mounted combination unit flush mounted to accommodate grab bar installation (grab bar ordered separately).

Overall Size:

17 1/4"W x 32 3/4"H x 4 1/4"D
(438mm x 832mm x 108mm)

Wall Opening:

15 3/4"W x 31 3/4"H x 4"D
(400mm x 806mm x 101mm)

Toilet Tissue Capacity:

2 Standard Rolls

Seat Cover Capacity:

500 single fold seat covers

U860 (Not Pictured):

Same as U860A, with waste disposal

See page 14 for collar options



U865 | Partition Toilet Tissue Dispenser & Napkin Disposal

Partition mounted combination unit.

Overall Size:

17 1/4"W x 20"H x 4 1/4"D
(438mm x 508mm x 108mm)

Partition Opening:

15 3/4"W x 18 1/2"H (1/2"-1 1/4" thick)
(400mm x 470mm)

Waste Capacity:

2 Gallons

Toilet Tissue Capacity:

4 Standard Rolls

U865A (Not Pictured):

Same as U865, without waste disposal

U864 | Recessed Toilet Tissue Dispenser & Napkin Disposal

Recessed combination unit flush mounted for grab bar installation.

Overall Size:

17 1/4"W x 20"H x 4 1/4"D
(438mm x 508mm x 108mm)

Wall Opening:

15 3/4"W x 18 1/2"H x 4"D
(400mm x 470mm x 101mm)

Waste Capacity:

2 Gallons

Toilet Tissue Capacity:

2 Standard Rolls

U864A (Not Pictured):

Same as U864, without waste disposal

See page 14 for collar options

U865AH | Recessed Toilet Tissue Dispenser

Recessed combination unit flush mounted for grab bar installation (grab bar ordered separately).

Overall Size:

17 1/4"W x 20"H x 4 1/4"D
(438mm x 508mm x 108mm)

Partition Opening:

15 3/4"W x 18 1/2"H (1/2"-1 1/4" thick)
(400mm x 470mm)

Toilet Tissue Capacity:

4 Standard Rolls

U865H (Not Pictured):

Same as U865AH, with waste disposal

MIRRORS & SHELVES

Series Overview

AJW mirrors are available in a variety of sizes and mirror surfaces. Contact your Customer Relationship Manager for more information. Shelves can be fabricated to meet many custom requirements for length or depth.

Warranty

We guarantee our mirrors against silver spoilage for a period of fifteen years under normal use. All mirrors are silver coated and sealed with an electrolytic copper plating. This guarantee includes all 1/4" plate glass mirrors including tempered, laminated, and all other safety glass mirrors.

Mirror Images

Plate glass and vinyl clad plate glass mirrors provide the best reflective quality. Stainless steel mirrors have a slight distortion which increases proportionally with mirror size.

Special Finishes

Suffix	Description
VC	Plate Glass, Vinyl Clad Backing
LG	Laminated Glass (3 Sq. Ft. Minimum)
T	Tempered Glass
PM	Plastic Acrylic Mirror
8B	8B Stainless Steel Reflective Surface

Additional Options

Unit	Description
CL	Mirror clips for U701 (pack of 6)
SCL	Stainless steel mirror clips (pack of 6)



U704 Shown



U700 Series | Stainless Steel Angle Frame Mirror

Satin finish, stainless steel, roll formed, 3/4" x 3/4" angle frame mirror with polished corners and theft resistant mounting.

Standard Sizes:

16"x24", 16"x20", 16"x30", 18"x24"
18"x30", 18"x36", 20"x60", 24"x30"
24"x36", 24"x42", 24"x48", 24"x60"
24"x72", 18"x60", 24"x60", 18"x72"

Other sizes available upon request



U702 Series | Adjustable Tilt Angle Frame Mirror

Stainless steel roll formed angle frame mirror with adjustable tilt arms, and polished corners.

Standard Sizes:

16"x24", 16"x30", 18"x24", 18"x30"
18"x36", 24"x30", 24"x36"

Other sizes available upon request



U705 Series | Angle Frame Mirror & Shelf Combination

Stainless steel roll formed, angle frame mirror with welded shelf and polished corners and theft resistant mounting.

Standard Sizes:

16"x24", 16"x30", 18"x24", 18"x30"
18"x36", 24"x30", 24"x36"

Shelf Depth:

5"

Other sizes available upon request



U711 Series | Stainless Steel Channel Frame Mirror

Stainless steel, one piece, 1/2" x 1/2" channel frame mirror with mitered corners and theft resistant mounting.

Standard Sizes:

16"x24", 16"x20", 16"x30", 18"x24"
18"x30", 18"x36", 20"x60", 24"x30"
24"x36", 24"x42", 24"x48", 24"x60"
24"x72", 18"x60", 24"x60", 18"x72"

Other sizes available upon request



U703 Series | Adjustable Tilt Channel Frame Mirror

Satin finish stainless steel, one piece, channel frame mirror with mitered corners and adjustable tilt arms.

Standard Sizes:

16"x24", 16"x30", 18"x24", 18"x30",
18"x36", 24"x30", 24"x36"

Other sizes available upon request



U716 Series | Channel Frame Mirror & Shelf Combination

Stainless steel one piece channel frame mirror & welded shelf with mitered corners and theft resistant mounting.

Standard Sizes:

16"x24", 16"x30", 18"x24", 18"x30"
18"x36", 24"x30", 24"x36"

Shelf Depth:

5"

Other sizes available upon request



U704 Series | Fixed Tilt Angle Frame Mirror

Stainless steel fixed tilt mirror with polished corners that tapers from 4" at the top to 1" at the bottom.

Standard Sizes:

16"x24", 16"x30", 18"x24", 18"x30", 18"x36", 24"x30", 24"x36"

Other sizes available upon request



U7018B Series | Stainless Steel Frameless Mirror

Stainless steel, frameless mirror with 1/4" returns and a highly reflective 8B mirror finish.

U701 (Not Pictured):

Frameless 1/4" plate glass mirror, with polished edges



U719 Series | Stainless Steel J-Mold Mirror

Stainless steel individual channel with slotted mounting plate. Ideal for mirrors with multiple pieces of glass.

U717 Series (Not Pictured):

Same as U719, with 1 sided channel

U718 Series (Not Pictured):

Same as U719, with 2 channels (top and bottom).



U706 Series | Fixed Tilt Angle Frame Mirror with Shelf

Stainless steel framed fixed tilt mirror with shelf.

Standard Sizes:

16"x24", 16"x30", 18"x24", 18"x30", 18"x36", 24"x30", 24"x36"

Shelf Depth:

5"

Other sizes available upon request



U730 Series | White Enamel Recessed Medicine Cabinet

Recessed white enamel medicine cabinet with mirror door and adjustable shelves.

Overall Size (U730-1622):

16 1/8"W x 22 1/8"H x 4 1/2"D (409mm x 562mm x 114mm)

Wall Opening (U730-1622):

14"W x 18"H x 3 5/8"D (355mm x 457mm x 92mm)

Overall Size (U730-1626):

16"W x 26"H x 4 5/8"D (406mm x 660mm x 117mm)

Wall Opening (U730-1626):

14"W x 24"H x 3 5/8"D (355mm x 609mm x 92mm)

Surface mounted cabinets also available



U720 Series | Stainless Steel Recessed Medicine Cabinet

Recessed stainless steel medicine cabinet with mirror door and adjustable shelves.

Overall Size (U720-1830):

18"W x 30 1/4"H x 4 7/8"D (457mm x 768mm x 124mm)

Wall Opening (U720-1830):

15 3/4"W x 25 7/8"H x 4"D (349mm x 657mm x 101mm)

Other Sizes Available:

U720-1622

U720-1626

U720-1824

See page 14 for collar options



U788 | Spring Loaded Folding Stainless Steel Shelf

Folding, spring loaded, stainless steel purse shelf with radiused leading edges.

Overall Size:
14 5/8"L x 5 1/2"W
(398mm x 140mm)

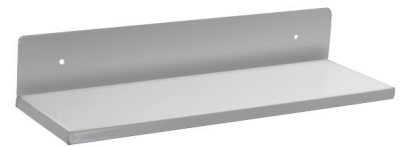


U790 | Recessed Stainless Steel Shelf With Exposed Mounting

Stainless steel, recessed shelf with exposed mounting points.

Overall Size:
17 1/4"W x 8"H x 4 1/4"D
(438mm x 203mm x 107mm)

Wall Opening:
15 3/4"W x 6 1/2"H x 4"D
(400mm x 165mm x 101mm)



U792 Series | Surface Mounted Shelf with Backsplash

Stainless steel shelf, 5"D with a 3"H backsplash. Also used on U706, mirror and shelf combination.

Standard Lengths:

Model	Shelf Length
U795-16	16"
U795-18	18"
U795-24	24"
U795-30	30"
U795-36	36"

Other lengths available upon request



U795 Series | Surface Shelf with Embossed Tray

Surface mounted stainless steel shelf with embossed tray, 6" in depth

Standard Lengths:

Model	Shelf Length
U795-16	16"
U795-18	18"
U795-24	24"
U795-30	30"
U795-36	36"

Other lengths available upon request



UX135-BF | Surface Mounted Utility Shelf

Polished or satin finish stainless steel shelf with concealed mounting.

Overall Size:
18" or 24"L x 6"D
(398mm x 140mm)

UX135-SF (Not Pictured):
Same as UX135-BF, with satin finish



U770 Series | Surface Mounted Stainless Steel Utility Shelf

Stainless steel, surface mounted utility shelf with multiple depths and lengths.

Shelf Depths:

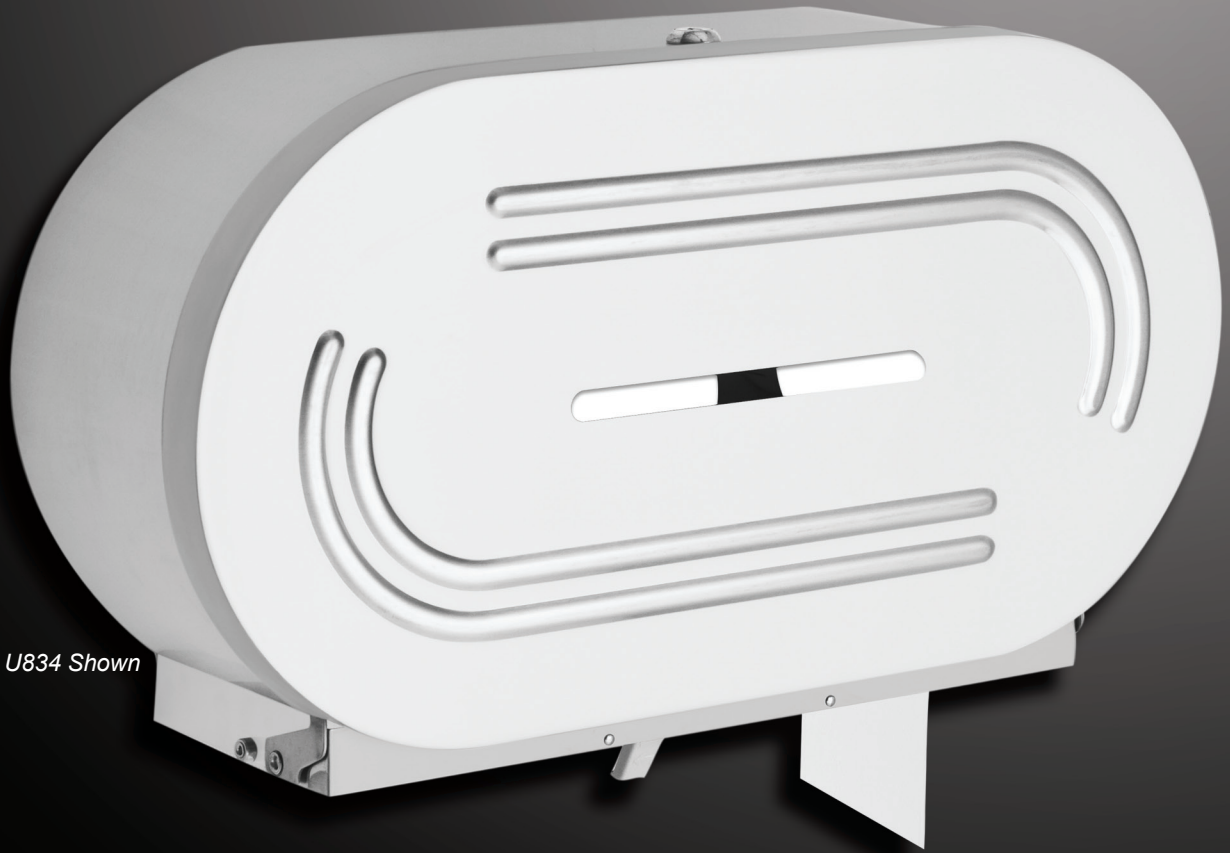
Model	Shelf Depth
U774	4"D
U775	5"D
U776	6"D
U778	8"D
U7712	12"D

Standard Lengths:

16", 18", 24", 30", 36", 42", 48", 60", 72"

Other lengths available upon request

TOILET TISSUE DISPENSERS



U834 Shown

Series Overview

AJW toilet tissue dispensers are available for various applications in single or dual roll capacity as well as standard and jumbo size roll dispensing capabilities.

In order to comply with ADA guidelines, dispensers cannot have any form of controlled delivery. We offer this design feature on many of our dispensers.

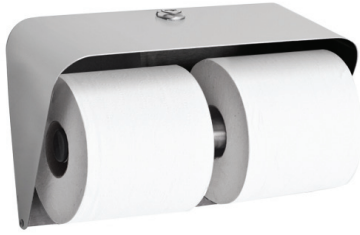
Options

U007 – Spindle Adapter: Prevents theft of toilet tissue spindles. See technical data for more information.

Dispenser Types

Standard Roll: Dispensers of this type are designed to fit a standard roll with a 5 3/4" outside diameter.

Jumbo Roll: Jumbo roll dispensers are designed to accommodate large capacity rolls with an outside diameter of 9"-10".



U804 | Hooded Dual Toilet Tissue Dispenser

Theft resistant hooded toilet tissue dispenser available with single or dual roll capacity.

Overall Size:
10"W x 6 3/8"H x 4 1/4"D
(267mm x 161mm x 108mm)

Capacity:
Two standard rolls 1000 sheet two ply or
1500 sheet single ply rolls

U803 (Not Pictured):
Same as U804 with single roll capacity



U806 | Dual Aluminum Toilet Tissue Dispenser

Die-cast aluminum bracket with high density plastic toilet tissue spindles.

Overall Size:
13"W x 1 3/4"H x 4"D
(330mm x 45mm x 102mm)

Capacity:
Two standard rolls 1000 sheet two ply or
1500 sheet single ply rolls

U805:
Same as U806 with single roll capacity

U805-NC & U806-NC:
Same as U805 & U806 without
controlled delivery

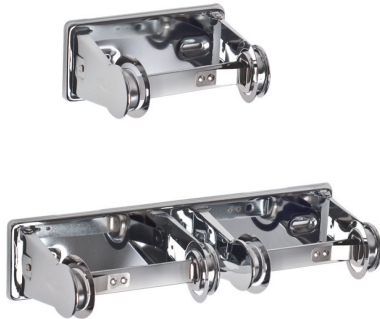


U807 | Single Fold Toilet Tissue Dispenser

Single fold toilet tissue dispenser with a keyed lock.

Overall Size:
4 5/8"W x 7 3/4"H x 3"D
(117mm x 196mm x 76mm)

Capacity:
1300 single fold sheets



U812 | Dual Chrome Toilet Tissue Dispenser

Bright polished chrome toilet tissue dispenser with controlled delivery.

Overall Size:
12 1/4"W x 2 3/4"H x 4 1/4"D
(311mm x 70mm x 108mm)

Capacity:
Two standard rolls 1000 sheet two ply or
1500 sheet single ply rolls

U811:
Same as U812 with single roll capacity



U814 | Dual Chrome Toilet Tissue Dispenser

Bright polished chrome toilet tissue dispensers with controlled delivery.

Overall Size:
12 1/4"W x 2 3/4"H x 4 1/4"D
(311mm x 70mm x 108mm)

Capacity:
Two standard rolls 1000 sheet two ply or
1500 sheet single ply rolls

U813:
Same as U814 with single roll capacity



U815 | Dual Toilet Tissue Dispenser & Shelf Combination

Stainless steel toilet tissue dispenser with utility shelf.

Overall Size:
16"W x 4"H x 5"D
(406mm x 102mm x 127mm)

Capacity:
Two standard rolls 1000 sheet two ply or
1500 sheet single ply rolls



U830 | Jumbo Roll Toilet Tissue Dispenser

Single jumbo toilet tissue dispenser with partially exposed roll.

Overall Size:

11"W x 7 3/4"H x 4 1/2"D
(254mm x 305mm x 108mm)

Capacity:

One 9"-10" diameter roll



U832 | Dual Jumbo Roll Toilet Tissue Dispenser

Dual jumbo roll toilet tissue dispenser with 18 gauge stainless steel body.

Overall Size:

21 1/4"W x 13 1/8"H x 4 1/4"D
(540mm x 333mm x 108mm)

Capacity:

Two 9"-10" diameter rolls



U834 | Dual Jumbo Roll Toilet Tissue Dispenser

Dual jumbo toilet tissue dispenser with lower sliding access panel.

Overall Size:

20 1/2"W x 12 1/4"H x 5 7/8"D
(521 mm x 311 mm x 149mm)

Capacity:

Two 9"-10" diameter rolls



U842 | Partition Hooded Dual Toilet Tissue Dispenser

Partition mounted, hooded tissue dispenser with dual roll capacity.

Overall Size:

14 1/4"W x 14"H x 9 7/8"D
(362mm x 356mm x 251mm)

Partition Opening:

12 1/2"W x 12 1/4"H (3/4"-1 1/4" partition)
(318mm x 311mm)

Capacity:

Four (two per side) standard rolls 1000 sheet two ply or 1500 sheet single ply rolls



U840 | Surface Mounted Hooded Dual Toilet Tissue Dispenser

Surface mounted, hooded tissue dispenser with dual roll capacity.

Overall Size:

6"W x 12"H x 6 3/4"D
(152mm x 305mm x 171mm)

Capacity:

Two standard rolls 1000 sheet two ply or 1500 sheet single ply rolls



U841 | Recessed Hooded Dual Toilet Tissue Dispenser

Recessed, hooded tissue dispenser with dual roll capacity.

Overall Size:

8"W x 14"H x 6 3/4"D
(203mm x 356mm x 171mm)

Wall Opening:

6 3/8"W x 12 3/8"H x 3 5/8"D
(162mm x 314mm x 93mm)

Capacity:

Two standard rolls 1000 sheet two ply or 1500 sheet single ply rolls



U838 | Jumbo Roll Toilet Tissue Dispenser

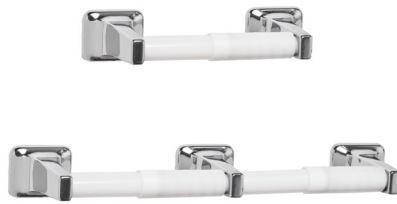
Jumbo toilet tissue dispenser with single roll capacity.

Overall Size:

10 1/2"W x 11"H x 4 1/2"D
(267mm x 279mm x 114mm)

Capacity:

One 9" diameter roll



UC42 | Zamac Dual Toilet Tissue Dispenser

Chrome on Zamac toilet tissue dispensers with white plastic spindles.

Overall Size:

14 1/8"W x 1 13/16"H x 3 1/8"D
(359mm x 44mm x 79mm)

Capacity:

Two standard rolls 1000 sheet two ply or 1500 sheet single ply rolls

UC41:

Same as UC42, with single roll capacity



UC72 | Recessed "Hide-A-Roll" Dispenser

Chrome toilet tissue dispenser with hidden storage for an additional roll.

Overall Size:

6 5/16"W x 6 5/16"H x 6 9/16"D
(160mm x 160mm x 167mm)

Wall Opening:

5 3/8"W x 5 3/8"H x 4"D
(137mm x 137mm x 102mm)

Capacity:

One standard roll 1000 sheet two ply or 1500 sheet single ply roll



UX76-BF | Recessed Dual Toilet Tissue Dispenser

Recessed, hooded tissue dispenser with dual roll capacity. Available in satin finish.

Overall Size:

12 5/8"W x 6 1/4"H x 3 9/16"D
(321mm x 159mm x 92mm)

Wall Opening:

11 3/4"W x 5 1/4"H x 2"D
(298mm x 133mm x 51mm)

Capacity:

Two standard rolls 1000 sheet two ply or 1500 sheet single ply rolls

UX75-BF (Not Pictured):

Same as UX76-BF, without hood. Also available in satin finish (-SF)



UX71-BF | Recessed Single Toilet Tissue Dispenser

Recessed, hooded tissue dispenser with single roll capacity. Available in satin finish.

Overall Size:

6 1/4"W x 6 1/4"H x 3 9/16"D
159mm x 159mm x 92mm

Wall Opening:

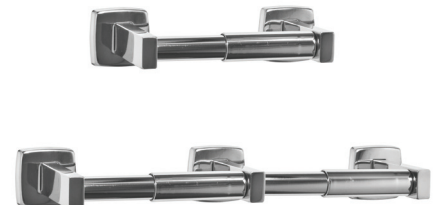
5 1/4"W x 5 1/4"H x 2"D
(133mm x 133mm x 51mm)

Capacity:

one standard roll 1000 sheet two ply or 1500 sheet single ply roll

UX70-BF (Not Pictured):

Same as UX71-BF, without hood. Also available in satin finish (-SF)



UX142-BF | Dual Toilet Tissue Dispenser

Stainless steel toilet tissue dispenser.

Overall Size:

14 1/8"W x 2"H x 3 7/8"D
(359mm x 44mm x 79mm)

Capacity:

Two standard rolls 1000 sheet two ply or 1500 sheet single ply rolls

UX141-BF:

Same as UX142 with single roll capacity.

UX141-SF & UX142-SF:

Same as UX141-BF & UX142-BF, with a satin finish

GRAB BARS

Series Overview

AJW grab bars are fabricated of 18 gauge stainless steel with a standard satin finish. Optional safety grip is also available on all bar configurations. See the "How To Specify" guide below for ordering information. When properly installed our grab bars can support loads in excess of 300 lbs.

How To Specify

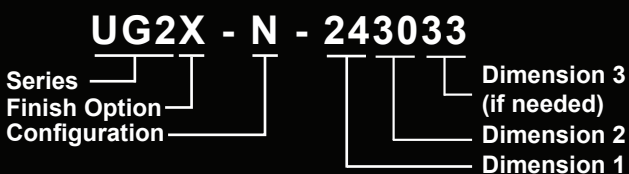
Choose series by diameter and flange style:

Series	Diameter	Flange Style
UG1	1"	Concealed Snap
UG2	1 1/4"	Concealed Snap
UG3	1 1/2"	Concealed Snap
UG10	1"	Concealed Set Screw
UG20	1 1/4"	Concealed Set Screw
UG30	1 1/2"	Concealed Set Screw
UG120	1 1/4"	Exposed
UG130	1 1/2"	Exposed

Choose your finish:

Feature	Add Suffix
Powder Coated	PC
Polished Stainless	PS
Safety Grip (Peened)	X

Sample Number



Style-A Shown



Configuration-A Series | Straight Grab Bar

Straight grab bar.

Standard Lengths:

12", 16", 18", 24", 30", 32", 36", 42", 48", 50", 52", 54", 56"

Bar Diameters:

1", 1 1/4", 1 1/2"

Flange Styles:

Concealed Set Screw, Concealed Snap and Exposed

Other sizes available upon request



Configuration-G Series | Two Wall Grab Bar

Two wall grab bar with intermediate support.

Standard Lengths:

16"x30", 18"x30", 18"x36", 24"x36", 36"x42", 52"x36", 54"x36", 24"x24", 30"x30", 36"x36"

Bar Diameters:

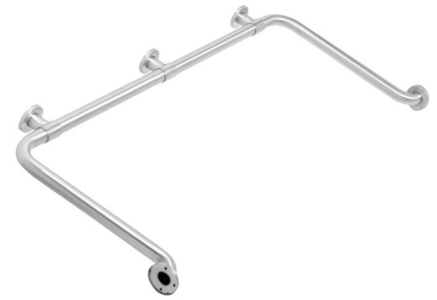
1 1/4", 1 1/2"

Flange Styles:

Concealed Set Screw, Concealed Snap and Exposed

Other sizes available upon request

See measurement guide on page 45



Configuration-V Series | Three Wall Grab Bar

Three wall grab bar, fabricated in two sections.

Standard Lengths:

24"x60"x24", 30"x60"x30", 36"x60"x36"

Bar Diameters:

1 1/4", 1 1/2"

Flange Styles:

Concealed Set Screw, Concealed Snap and Exposed

Other sizes available upon request



Configuration-U | Swing-Up Stainless Steel Grab Bar

Swing-up grab bar with adjustable tension clutch to control the path of bar.

Length:

29"

Bar Diameter:

1 1/4"

Flange Style:

Exposed Plate

UG-W (Not Pictured):

Same as UG-U, with a single roll toilet tissue dispenser



*Underside

US130-A Series | Straight Security Grab Bar

Straight grab bar with a welded closure plate for security applications.

Standard Lengths:

12", 18", 24", 30", 36", 42", 48"

Bar Diameter:

1 1/2"

Flange Style:

Exposed

Other sizes available upon request



*Underside

US130-G Series | Two Wall Security Grab Bar

Two wall grab bar with a welded closure plate for security applications.

Standard Lengths:

16"x30", 18"x30", 24"x36"

Bar Diameter:

1 1/2"

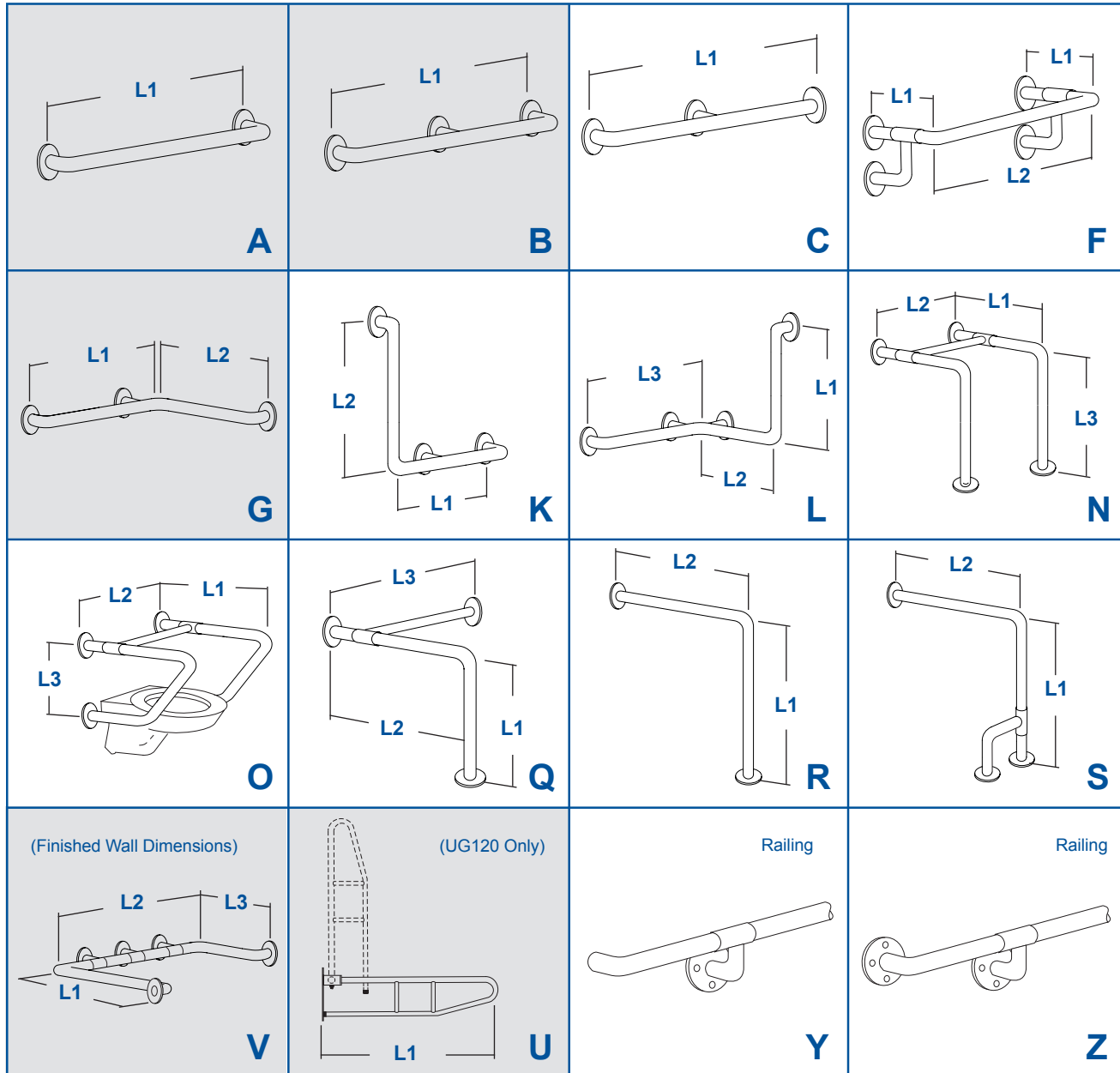
Flange Style:

Exposed

Handing is required for this type bar

Other sizes available upon request

Configuration Guide



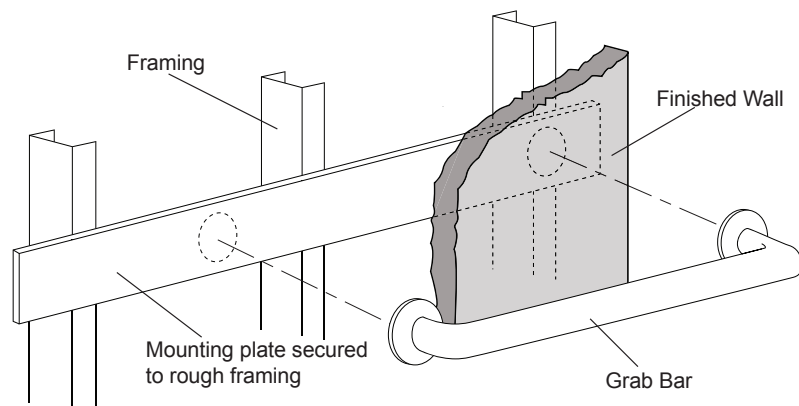
 Standard Configurations

BP10 | In Wall Mounting Plate

One plate is required per side of grab bar.
(ex. Configuration-G: requires 2 plates)

To determine plate size add 6" to length of grab bar (ex. 12" grab bar requires 18" mounting plate).

Other kits are available for wood, drywall, masonry and partition installation.



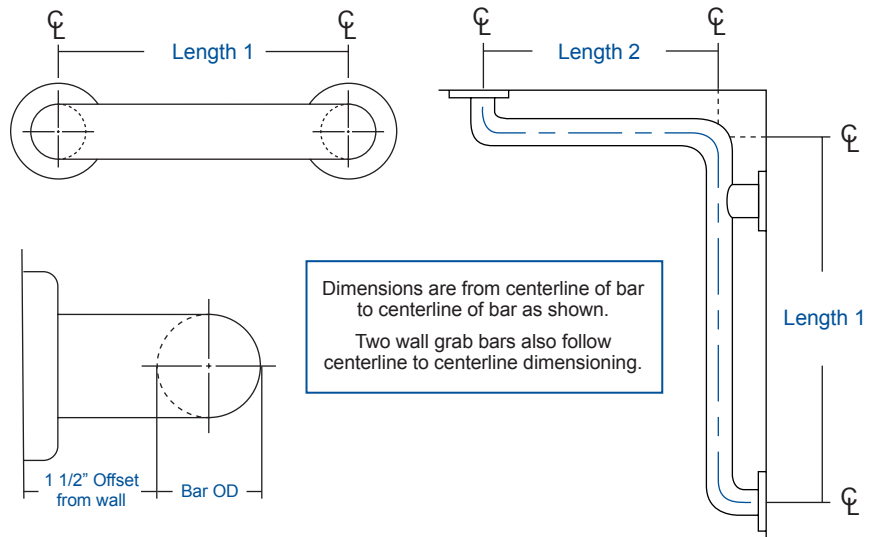
Measurement Guide

Wall Clearance:

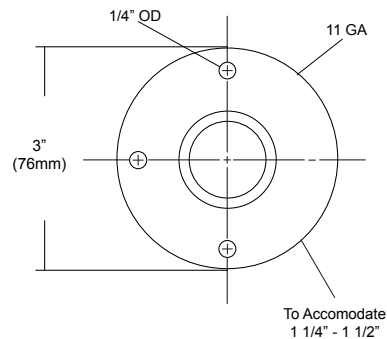
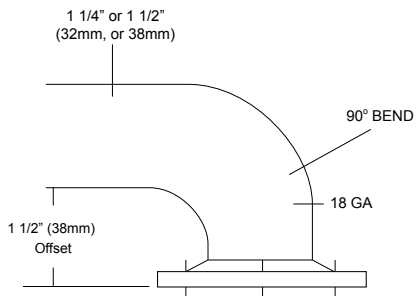
This is commonly known as bar offset. All AJW bars have 1 1/2" clearance between the mounting surface and inside of the bar with the exception of wall to floor bars. (Complies with Federal specification WW-p-541/8b)

Sizing Bars:

All stainless steel grab bars are measured centerline to centerline. Three sided bars (ex: Configuration-V) must have finished wall sizes supplied when pricing and ordering bars.

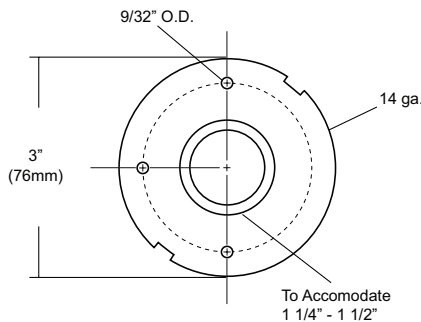
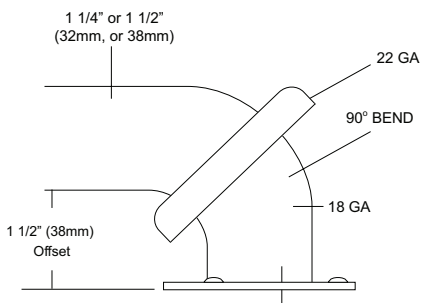


Flange Types



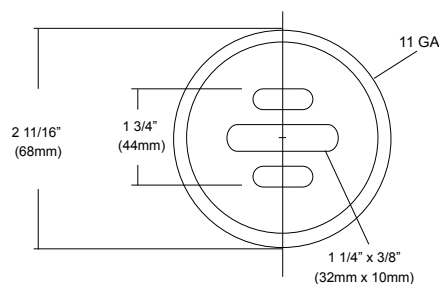
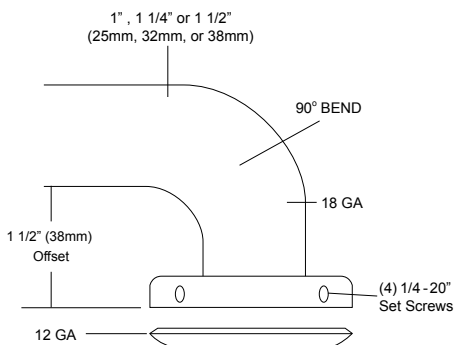
Exposed Flange

3" O.D. 11 gauge 4 satin finish stainless steel with three (3) mounting points (for 1/4" dia fasteners). Flange is TIG welded to bar for one-piece construction.



Concealed Snap Flange

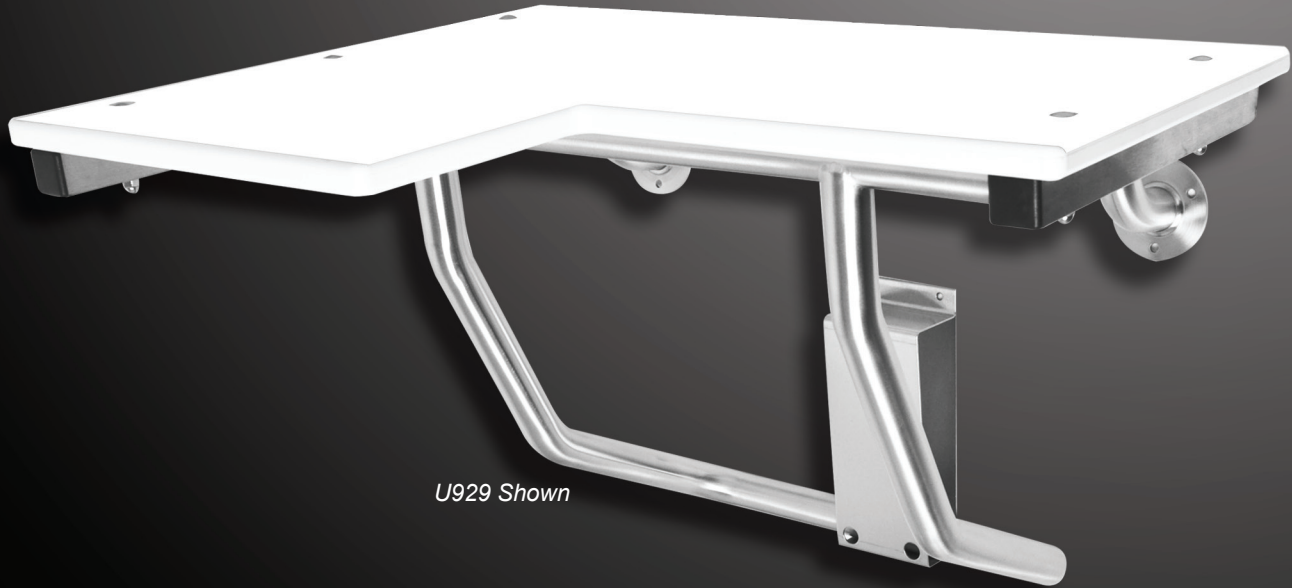
3" O.D. deep drawn, 22 gauge stainless steel cover with a satin finish. A 12 gauge stainless steel mounting plate is welded to the bar with 3 (three) mounting points.



Concealed Set Screw Flange

3" O.D. deep drawn 11 gauge satin finish stainless steel. 12 gauge tennon plate. Flange is secured to plate by means of four (4) 1/4 - 20 stainless steel tamper resistant set screws.

HEALTHCARE ACCESSORIES



Series Overview

AJW healthcare products include shower seats, changing tables and other products intended for use in healthcare facilities. When mounted properly these products comply with ADA guidelines.

ADA Guidelines

4.21.3 – Shower Seats:

Seating area of shower seat should be at a height between 17" – 19" above the finished floor.

4.20.3, 4.26.3 – Tub Seats:

Seats should be mounted to the wall surface securely and shall not slip during regular use.

Shower Seats

We offer shower seats with a variety of mounting styles and materials to meet any application or requirement. All shower seats should be secured with in-wall concealed mounting whenever possible.

Seat Materials

Cushion Material:

2 1/2" foam cushion covered with water resistant reinforced vinyl fabric.

Seating Area Material:

3/4" high density polyethylene (HDPE).

Frame Material:

18 gauge satin finish stainless steel.

Baby Changing Stations

Changing stations are available in various configurations, mounting styles, materials and colors to meet all applications.



U939 | Polyethylene Folding Shower Seat

Retractable, high density polyethylene shower seat.

Seating Area:
20 1/4"W x 14 7/8"D
(565mm x 377mm)

Seat Material:
White high density polyethylene

Weight Capacity:
250 lbs when properly installed

U934 (Not Pictured):
Same as U939, with water-resistant reinforced vinyl fabric



U920 | Polyethylene Bariatric Shower Bench

Retractable, high density polyethylene shower bench.

Seating Area:
29 3/8"W x 12 7/8"D
(746mm x 327mm)

Seat Material:
White high density polyethylene

Weight Capacity:
1300 lbs when properly installed



U921 | Bariatric Shower Seat With Left or Right Handing

Retractable high density polyethylene seat with reversible handing in the field.

Seating Area:
32"W x 20 3/4"D
(813mm x 527mm)

Seat Material:
White high density polyethylene

Weight Capacity:
1300 lbs when properly installed

[Right Handing Shown](#)



U925 | Handed Stainless Steel Shower Seat

Handed, stainless steel retractable shower seat.

Seating Area:
32"W x 19 1/2"D
(813mm x 495 mm)

Seat Material:
Stainless steel with a satin finish

Weight Capacity:
500 lbs when properly installed

[Left Handing Shown](#)



U926 | Stainless Steel Retractable Shower Bench

Stainless steel retractable shower bench.

Seating Area:
32"W X 12 1/8" D
(813mm x 308mm)

Seat Material:
Stainless steel with a satin finish

Weight Capacity:
1300 lbs when properly installed



U929 | Shower Seat With Left or Right Handing

Handed retractable shower seat with reversible handing in the field.

Seating Area:
32"W x 20 3/4"D
(813mm x 527mm)

Seat Material:
White high density polyethylene

Weight Capacity:
500 lbs when properly installed

[Right Handing Shown](#)



U935 | Retractable Back Wall Mounted Tub Seat

Retractable back wall mounted tub seat with non-slip feet.

Overall Size:
29 3/8"W x 14 1/2"D
(746mm x 374mm)

Seating Area:
29"W x 13 3/8"D
(736mm x 340mm)

Seat Material:
White high density polyethylene

Weight Capacity:
250 lbs when properly installed



U936 | Retractable Side Wall Mounted Tub Seat

Retractable side wall mounting tub seat with non-slip feet.

Overall Size:
29 3/8"W x 17 1/2"D
(746mm x 444mm)

Seating Area:
28 1/2"W x 14 3/4"D
(732mm x 374mm)

Seat Material:
White high density polyethylene

Weight Capacity:
250 lbs when properly installed



U933 | Retractable Cushioned Shower Seat

Handed, folding shower seat with water-resistant reinforced vinyl fabric cushion.

Seating Area:
32"W x 21 1/2"D
(813mm x 546mm)

Seat Material:
2" foam cushion covered with water-resistant reinforced vinyl fabric

Weight Capacity:
250 lbs when properly installed

Left Handing Shown



U928 | Shower Seat With Left or Right Handing

Handed, retractable shower seat for shower enclosures with molded bases.

Seating Area:
32"W x 20 3/4"D
(813mm x 527mm)

Seat Material:
White high density polyethylene

Weight Capacity:
500 lbs when properly installed

Right Handing Shown



U930 | Stainless Steel Corner Shower Seat

Stainless steel folding corner mounted shower seat.

Seating Area:
15" x 15 1/4" x 15"
(381mm x 387mm x 381mm)

Seat Material:
Stainless steel with a satin finish

Weight Capacity:
300 lbs when properly installed



U931 | Stainless Steel Recessed Shower Seat

Stainless steel, recessed shower seat that closes when not in use.

Overall Size:
16"W x 16"H x 4 1/4"D
(406mm x 406mm x 108mm)

Wall Opening:
15 1/4"W x 15 1/4"H x 4"D
(387mm x 387mm x 102mm)

Seat Material:
Stainless steel with a satin finish

Weight Capacity:
300 lbs when properly installed



U905 | Stainless Steel Partition Mounted Specimen Pass Box

Partition mounted, dual door, stainless steel specimen pass box.

Overall Size:

14 1/4"W x 14 1/4"H x 8 1/4"D
(362mm x 362mm x 210mm)

Partition Opening:

12 1/2"W x 12 1/2"H
(318mm x 318mm)

Adjustable to fit openings 2 3/4"D - 8"D



U951 | Recessed Single Bed Pan Cabinet

Recessed single stainless steel bed pan cabinet with magnetic catch.

Overall Size:

17 1/4"W x 27 1/4"H x 6 1/4"D
(438mm x 692mm x 159mm)

Wall Opening:

15 3/4"W x 25 3/4"H x 6"D
(400mm x 654mm x 152mm)

Capacity:

One standard bed pan

See page 14 for collar options



U952 | Recessed Dual Bed Pan Cabinet

Recessed dual stainless steel bed pan cabinet with magnetic catch.

Overall Size:

27 1/4"W x 27 1/4"H x 6 1/4"D
(692mm x 692mm x 159mm)

Wall Opening:

25 3/4"W x 25 3/4"H x 6"D
(654mm x 654mm x 159mm)

Capacity:

Two standard bed pans

See page 14 for collar options



U944 | Horizontal Baby Changing Station

Horizontal polypropylene baby changing station.

Overall Size (closed):

35"W x 21 3/4"H x 4"D
(889mm x 552mm x 102mm)

Overall Size (open):

35"W x 21 3/4"H x 22"D
(889mm x 552mm x 559mm)

Material:

Anti-microbial polypropylene

Colors:

Cream (standard), white granite, grey, and earth



U980 | Vertical Baby Changing Station

Vertical polyethylene baby changing station.

Overall Size (closed):

22"W x 35 1/2"H x 5"D
(559mm x 902mm x 127mm)

Overall Size (open):

22"W x 35 1/2"H x 35"D
(559mm x 902mm x 889mm)

Material:

Anti-microbial polyethylene

Colors:

Cream (standard), white granite, grey



U987 | Surface Mounted Child Protection Station

Surface mounted child protection station.

Overall Size (closed):

37"W x 23"H x 5 1/4"D
(940mm x 584mm x 108mm)

Overall Size (open):

12"W x 19"H x 12 1/2"D
(305mm x 482mm x 317mm)

Wall Opening:

35 1/4"W x 20 1/4"H x 4"D
(895mm x 514mm x 102mm)

Colors:

Cream (standard) and grey



U984-SM | Surface Mounted Baby Changing Station

Horizontal, stainless steel baby changing station.

Overall Size (closed):
35"W x 20"H x 4"D
(892mm x 508mm x 102mm)

Overall Size (open):
33"W x 20 1/2"H x 15 3/16"D
(860mm x 521mm x 386mm)



U984 | Recessed Horizontal Baby Changing Station

Horizontal, stainless steel baby changing station.

Overall Size (closed):
34 1/2"W x 23"H x 4"D
(892mm x 584mm x 102mm)

Overall Size (open):
33"W x 20 1/2"H x 15 1/4"D
(860mm x 521mm x 386mm)

Wall Opening:
35 1/4"W x 20 1/4"H x 4"D
(895mm x 514mm x 102mm)



U985-SM | Surface Mounted Baby Changing Station

Vertical, stainless steel baby changing station.

Overall Size (closed):
33"W x 20 1/2"H x 4"D
(860mm x 521mm x 102mm)

Overall Size (open):
33"W x 20 1/2"H x 20 1/2"D
(860mm x 521mm x 521mm)



U985 | Recessed Stainless Steel Changing Station

Vertical, stainless steel baby changing station.

Overall Size (closed):
24 1/4"W x 39 1/2"H x 5 1/4"D
(615mm x 1003mm x 133mm)

Overall Size (open):
24 1/4"W x 30 3/4"H x 15 1/4"D
(615mm x 781mm x 387mm)

Wall Opening:
22 1/2"W x 36"H x 4"D
(571mm x 914mm x 101mm)



U986 | Recessed Baby Changing Station

Horizontal, baby changing station with stainless steel recessing flange.

Overall Size (closed):
37"W x 23"H x 5 1/4"D
(940mm x 584mm x 108mm)

Overall Size (open):
37"W x 23"H x 24"D
940mm x 584mm x 610mm

Wall Opening:
35 1/4"W x 20 1/4"H x 4"D
(895mm x 514mm x 102mm)

Colors:
Cream (Standard) and grey



U106 | Foot Operated Soap Dispenser

Foot operated soap dispenser for hospital scrub rooms and other sterile environments.

Overall Size:
4"W x 9 1/4"H (7" spout)
(114mm x 235mm)

Capacity:
32 fl. oz.



U961 | Stainless Steel Single Bed Pan Rack

Stainless steel single bedpan rack.

Overall Size:

11 1/4"W x 12 1/2"H x 4 1/4"D
(295mm x 317mm x 108mm)

Capacity:

One standard bedpan



U962 | Stainless Steel Dual Bed Pan Rack

Stainless steel dual bedpan rack.

Overall Size:

11 1/4"W x 28"H x 4 1/4"D
(295mm x 711mm x 108mm)

Capacity:

Two standard bedpans



U965 | Stainless Steel Bed Pan Rack & Urine Bottle Holder

Stainless steel bedpan and urine bottle rack.

Overall Size:

11 1/4"W x 26"H x 4 1/4"D
(295mm x 660mm x 108mm)

Capacity:

One standard bedpan and one standard urine bottle



U374 | Stainless Steel Paper Cup Dispenser

Stainless steel surface mounted paper cup dispenser.

Overall Size:

2 3/4"W x 14"H x 2 3/4"D
(70mm x 355mm x 70mm)

Capacity:

100 3-ounce paper cups

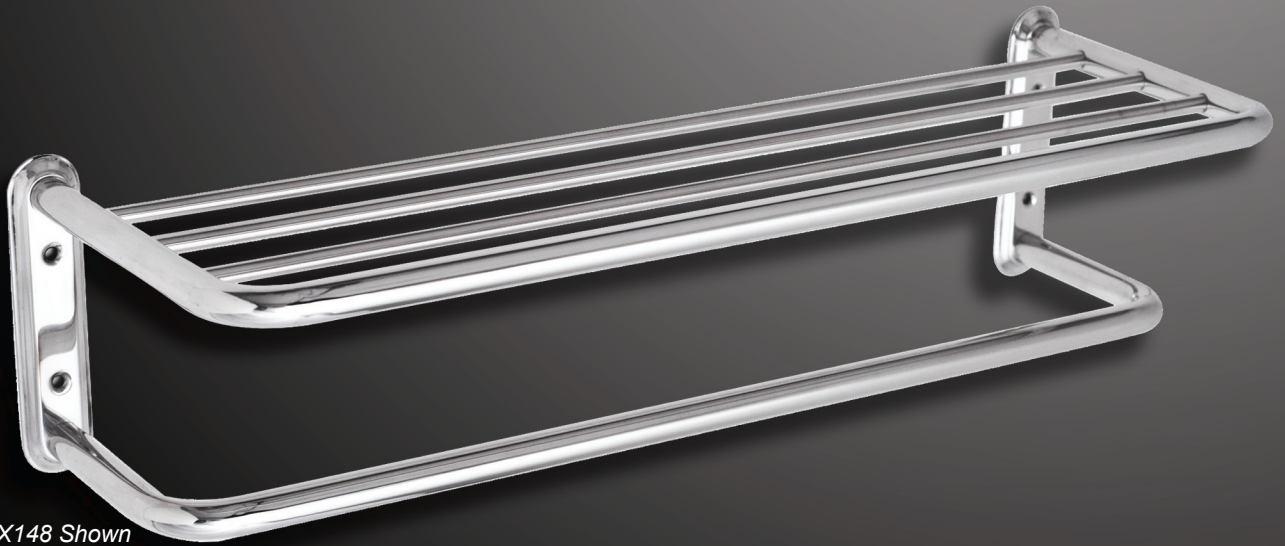


Stainless Steel Grab Bars With or Without Safety Grip

AJW grab bars are ideal for healthcare settings. See the grab bar section on page 44 for more information regarding grab bars and their applications.

Contact your Customer Relationship Manager at 845.562.3332 for ordering information.

HOSPITALITY ACCESSORIES



UX148 Shown

Series Overview

Hospitality accessories are fabricated with design and aesthetics in mind. See below for an overview of each series.

UB Accessories: Fabricated of a solid brass casting with a chrome, nickel plated finish.

UC Accessories: Fabricated of high polished chrome plating over virgin zinc cast (Zamac). All accessories meet standard Federal specifications.

UX Accessories: All accessories are stainless steel with a bright or satin finish and provided with a concealed stainless steel mounting plate. When specifying the finish use suffix -BF for a bright or -SF for a satin finish.

Shower Rods & Flanges

Use this guide to specify shower rods. Each rod diameter requires the appropriate flange. Flanges can be specified alone using their diameter and flange type. Shower rods are only available with a satin finish.

Series	Diameter	Flange Style
UX1	1"	A, B, C, E, J, K
UX2	1 1/4"	A, B, C, J, K

Sample Number

UX1-E36





UX110-BF | Single Stainless Steel Robe Hook

Bright stainless steel single robe hook with concealed mounting.

Overall Size:
2"W x 2"H x 1 5/8"D
(51mm x 51mm x 41mm)

UX110-SF (Not Pictured):
Same as UX110-BF, with satin finish



UX111-BF | Single Stainless Steel Towel Pin

Bright stainless steel single towel pin with concealed mounting.

Overall Size:
2"W x 2"H x 4 11/16"D
(51mm x 51mm x 120mm)

UX111-SF (Not Pictured):
Same as UX111-BF, with satin finish



UX112-BF | Dual Stainless Steel Robe Hook

Bright stainless steel dual robe hook with concealed mounting.

Overall Size:
4"W x 2"H x 1 5/8"D
(51mm x 51mm x 41mm)

UX112-SF (Not Pictured):
Same as UX112-BF, with satin finish



UX116-BF | Heavy Duty Dual Coat Hook

Bright stainless steel heavy duty coat hook with concealed mounting.

Overall Size:
2"W x 7"H x 2 5/8"D
51mm x 178mm x 66mm)

UX116-SF (Not Pictured):
Same as UX116-BF, with satin finish



UX121-BF | Stainless Steel Soap Dish with Concealed Mounting

Bright stainless steel soap dish with concealed mounting.

Overall Size:
4 1/4"W x 2 1/8"H x 4 1/4"D
(108mm x 54mm x 108mm)

UX121-SF (Not Pictured):
Satin finish

UX122-BF (Not Pictured):
Same as UX121-BF with drain holes

UX122-SF (Not Pictured):
Same as UX122-BF, with satin finish



UX120-BF | Stainless Steel Toothbrush & Tumbler Holder

Bright stainless steel toothbrush and tumbler holder with concealed mounting.

Overall Size:
4 5/16"W x 2"H x 4 1/8"D
(110mm x 51mm x 105mm)

UX120-SF (Not Pictured):
Same as UX120-BF, with satin finish



UX76-BF | Recessed Dual Toilet Tissue Dispenser

Recessed, hooded toilet tissue dispenser with dual roll capacity and bright polished finish.

Overall Size:

12 5/8"W x 6 1/4"H x 3 9/16"D
(321mm x 159mm x 92mm)

Wall Opening:

11 3/4"W x 5 1/4"H x 2"D
(298mm x 133mm x 51mm)

Capacity:

Two standard rolls 1000 sheet two ply or 1500 sheet single ply rolls

 **UX76-SF:**

Same as UX76-BF, with satin finish



UX75-BF | Recessed Dual Toilet Tissue Dispenser

Recessed, toilet tissue dispenser with dual roll capacity without hood and bright polished finish.

Overall Size:

12 5/8"W x 6 1/4"H x 3 9/16"D
(321mm x 159mm x 92mm)

Wall Opening:

11 3/4"W x 5 1/4"H x 2"D
(298mm x 133mm x 51mm)

Capacity:

Two standard rolls 1000 sheet two ply or 1500 sheet single ply rolls

 **UX75-SF:**

Same as UX75-BF, with satin finish



UX71-BF | Recessed Single Toilet Tissue Dispenser

Recessed, hooded toilet tissue dispenser with single roll capacity and bright polished finish.

Overall Size:

6 1/4"W x 6 1/4"H x 3 9/16"D
(159mm x 159mm x 92mm)

Wall Opening:

5 1/4"W x 5 1/4"H x 2"D
(133mm x 133mm x 51mm)

Capacity:

One standard roll 1000 sheet two ply or 1500 sheet single ply roll

 **UX71-SF:**

Same as UX71-BF, with satin finish



UX70-BF | Recessed Toilet Tissue Dispenser

Recessed, single toilet tissue dispenser with bright polished finish.

Overall Size:

6 1/4"W x 6 1/4"H x 3 9/16"D
(159mm x 159mm x 92mm)

Wall Opening:

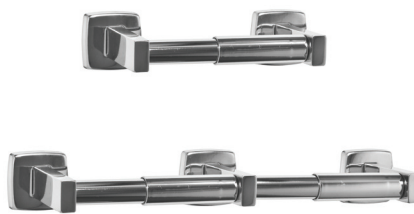
11 3/4"W x 5 1/4"H x 2"D
(298mm x 133mm x 51mm)

Capacity:

One standard roll 1000 sheet two ply or 1500 sheet single ply roll

 **UX70-SF:**

Same as UX70-BF, with satin finish



UX142-BF | Dual Stainless Steel Toilet Tissue Dispenser

Stainless steel toilet tissue dispenser.

Overall Size:

14 1/8"W x 2"H x 3 7/8"D
(359mm x 44mm x 79mm)

Capacity:

Two standard rolls 1000 sheet two ply or 1500 sheet single ply rolls

 **UX141-BF:**

Same as UX142 with single roll capacity.

 **UX141-SF & UX142-SF:**

Same as UX141-BF & UX142-BF, with a satin finish



UX130-BF | Stainless Steel Towel Ring

Bright stainless steel towel ring with concealed mounting.

Overall Size:

4 3/4"W x 5 1/8"H x 2 1/2"D
(121mm x 130mm x 64mm)

 **UX130-SF (Not Pictured):**

Same as UX130-BF, with satin finish



UX137-BF-24 | Surface Mounted Towel Shelf

Bright stainless steel towel shelf.

Overall Size:

18"W & 24"W x 8 1/2"L
(457mm & 609mm x 215mm)

UX137-SF (Not Pictured):

Same as UX137-BF, with satin finish



UX135-BF-24 | Surface Mounted Utility Shelf

Bright stainless steel utility shelf.

Overall Size:

18"W or 24"W x 6"D
(457mm & 609mm x 152mm)

UX135-SF (Not Pictured):

Same as UX135-BF, with satin finish



UX119-BF | Stainless Steel Soap Basket

Bright stainless steel soap basket.

Overall Size:

5 1/4"W x 3 1/2" L
(133mm x 89mm)



UX125-BF | Stainless Steel Soap Dish and Wash Cloth Bar

Bright stainless steel wash cloth bar and soap dish.

Overall Size:

14 3/4"W x 2"H x 4 1/4"D
(375mm x 51mm x 108mm)

UX125-SF (Not Pictured):

Same as UX125-BF, with satin finish



UX131 Series | Stainless Steel Square Towel Bar

Stainless steel 3/4" square towel bar, specify length. (ex. UX131-SF-18)

Standard Lengths:

18", 24", 30", 36"
(475mm, 610mm, 762mm, 914mm)

UX131-BF:

Bright finish

UX131-SF (Not Pictured):

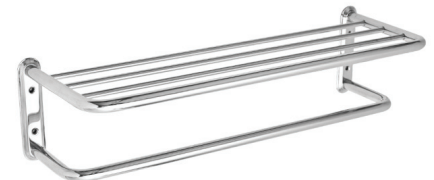
Same as UX131-BF, with satin finish

UX132-BF (Not Pictured):

Same as UX131-BF, with 3/4" round bar

UX132-SF (Not Pictured):

Same as UX132-BF, with satin finish



UX148-BF | Stainless Steel Towel Shelf and Drying Bar

Bright stainless steel towel shelf and drying bar.

Overall Size:

24"W x 8 3/8"H x 9 3/4"D
(610mm x 213mm x 248mm)



UX901 | Adjustable Makeup & Shaving Mirror

Bright polished shaving mirror with 2.5x and 4x magnification and adjustable arm.

Overall Size:
13"H x 14" Max Depth (c/l)
(330mm x 356mm)

Mirror Diameter:
7 5/8"
(194mm)



UX924 | Multi-Tier Towel & Washcloth Rack

Bright polished multi-tier towel rack.

Overall Size:
6 1/8"W x 22 1/4"H
(155mm x 565mm)

Capacity:
Twelve towels or washcloths



UX143-BF | Stainless Steel Door Bumper

Bright stainless steel door bumper with exposed mounting.

Overall Size:
2"W x 2"H x 2 1/8"D
(50mm x 50mm x 54mm)

UX143-SF (Not Pictured):
Same as UX143-BF, with satin finish



UX196-SF | Recessed Facial Tissue Dispenser

Satin finish stainless steel recessed facial tissue dispenser.

Overall Size:
12"W x 6 1/4"H x 4 1/8"D
(305mm x 152mm x 104mm)

Wall Opening:
10 3/4"W x 5 1/4"H x 4"D
(273mm x 133mm x 101mm)

Capacity:
One standard facial tissue box

UX196-BF (Not Pictured):
Same as UX196-SF, with bright finish



UX196-SF-SM | Surface Mounted Facial Tissue Dispenser

Satin finish stainless steel recessed facial tissue dispenser.

Overall Size:
10 5/8"W x 5 5/8"H x 2"D
(270mm x 142mm x 50mm)

Capacity:
One standard facial tissue box

UX196-BF-SM (Not Pictured):
Same as UX196-SF-SM, with bright finish



UX192 | Concealed Facial Tissue Dispenser

Concealed facial tissue box mounts behind vanity face to hold one standard facial tissue box.

Overall Size:
10 3/4"W x 5"H x 2 1/4"D
(273mm x 127mm x 57mm)

Capacity:
One standard facial tissue box



UX80-BF | Recessed Heavy Duty Soap Dish

Bright polished recessed soap dish.

Overall Size:

7 1/8"W x 5"H x 2 3/4"D
(181mm x 127mm x 70mm)

Wall Opening:

5 7/8"W x 3 7/8"H x 2 3/4"D
(149mm x 98mm x 70mm)

UX80-SF (Not Pictured):

Same as UX80-BF, with satin finish

UX82-BF (Not Pictured):

Bright finish unit, with screw holes

UX82-SF (Not Pictured):

Satin finish unit, with screw holes



UX81-BF | Recessed Heavy Duty Soap Dish with Bar

Bright polished recessed soap dish with wash cloth bar.

Overall Size:

7 1/8"W x 5"H x 2 3/4"D
(181mm x 127mm x 70mm)

Wall Opening:

5 7/8"W x 3 7/8"H x 2 3/4"D
(149mm x 98mm x 70mm)

UX81-SF (Not Pictured):

Same as UX81-BF, with satin finish

UX83-BF (Not Pictured):

Bright finish unit, with screw holes

UX83-SF (Not Pictured):

Satin finish unit, with screw holes



UX61-BF | Recessed Soap Dish With Wash Cloth Bar

Recessed soap dish with wash cloth bar and plastic soap tray.

Overall Size:

6 1/4" W x 6 1/4" H x 3 1/2" D
(165mm x 165mm x 89mm)

Wall Opening:

5 1/4" W x 5 1/4" H x 2"D
(133mm x 133mm x 51mm)

UX61-SF (Not Pictured):

Same as UX61-BF, with satin finish

UX60-BF (Not Pictured):

Bright finish unit, without grab bar

UX60-SF (Not Pictured):

Satin finish unit, without grab bar



UC31 | Chrome Plated Towel Bar

Chrome on Zamac, 3/4" square towel bar.

Standard Lengths:

18", 24", 30"
(457mm, 610mm, 762mm)

UC32 (Not Pictured):

Same as UC31 with 3/4" round bar



UC72 | Recessed "Hide-A-Roll" Dispenser

Chrome toilet tissue dispenser with hidden storage for an additional roll.

Overall Size:

6 5/16"W x 6 5/16"H x 6 9/16"D
(160mm x 160mm x 167mm)

Wall Opening:

5 3/8"W x 5 3/8"H x 4"D
(137mm x 137mm x 102mm)

Capacity:

One standard roll 1000 sheet two ply or 1500 sheet single ply roll



UX938 | Surface Mounted Retractable Clothesline

Surface mounted retractable clothes line.

Overall Size:

3 9/16"OD x 2 3/16"D
(89mm x 57mm)

Line Length:

85"
(2159mm)



UC10 | Single Zamac Coat Hook

Chrome on Zamac single coat hook with a chrome finish.

Overall Size:

2 1/8"W x 1 11/16"H x 2 3/16"D
(54mm x 44mm x 56mm)



UC12 | Dual Zamac Coat Hook

Chrome on Zamac dual coat hook with a chrome finish.

Overall Size:

2 5/8"W x 1 11/16"H x 2 9/16"D
(67mm x 44mm x 40mm)



UC20 | Zamac Toothbrush & Tumbler Holder

Chrome on Zamac toothbrush & tumbler holder with a chrome finish.

Overall Size:

3 13/16"W x 1 11/16"H x 3"D
(97mm x 44mm x 76mm)



UC21 | Zamac Soap Dish With Concealed Mounting

Chrome on Zamac soap dish.

Overall Size:

3 13/16"W x 1 11/16"H x 3"D
(97mm x 44mm x 76mm)

UC22 (Not Pictured):

Same as UC21 with drain holes



UC30 | Zamac Towel Ring With Concealed Mounting

Chrome on Zamac towel ring.

Overall Size:

5 3/4"W x 4 3/8"H x 1 5/8"D
(146mm x 110mm x 43mm)



UC42 | Zamac Dual Toilet Tissue Dispenser

Chrome on Zamac toilet tissue dispensers with white plastic spindles.

Overall Size:

14 1/8"W x 1 13/16"H x 3 1/8"D
(359mm x 44mm x 79mm)

Capacity:

Two standard rolls 1000 sheet two ply or 1500 sheet single ply rolls

UC41:

Same as UC42 with single roll capacity



UB14 | Chrome Coat Hook with Bumper

Chrome-plated brass coat hook with door bumper, and exposed mounting

Overall Size:

1 3/8"W x 2" x H x 3"D
(35mm x 64mm x 76mm)



UB16 | Heavy Duty Chrome Coat Hook

Chrome-plated brass coat hook with set screw concealed mounting.

Overall Size:

3" OD x 3 1/4"D
(76mm x 82mm)



UB17 | Heavy Duty Chrome Coat Hook

Chrome-plated brass coat hook with exposed mounting.

Overall Size:

3" OD x 3 1/4"D
(76mm x 82mm)



UB13 | Chrome Hat & Coat Hook

Chrome-plated brass coat hook with exposed mounting.

Overall Size:

2 5/8"W x 4 1/4"H x 3 9/16"D
(67mm x 108mm x 91mm)



UB19 | Stainless Steel Soap Basket

Chrome-plated brass soap basket with exposed mounting

Overall Size:

5 1/4"W x 3 1/2" L
(133mm x 89mm)



UB32-BF | Heavy Duty Chrome Towel Bar

Chrome-plated brass posts with exposed mounting and stainless steel 1"OD bar.

Standard Lengths:

18", 24", 30"
(457mm, 610mm, 762mm)

UB32-SF (Not Pictured):

Same as UB32-BF, with satin finish



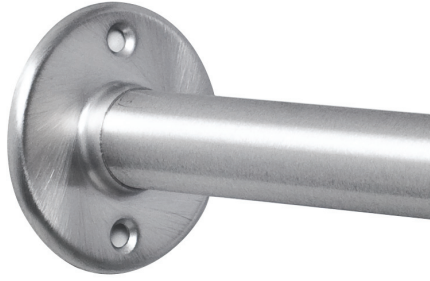
UX1-A Series | Concealed Shower Curtain Flange & Rod

Style-A chrome-plated brass shower curtain rod flange with concealed mounting.

Bar Diameter (UX1):
1" (25mm)

Bar Diameter (UX2):
1 1/4" (32mm)

Standard Bar Lengths:
36", 42", 48", 60", 72"
(914mm, 1066mm, 1219mm, 1524mm, 1892mm)



UX1-B Series | Exposed Shower Curtain Flange & Rod

Style-B satin finish stainless steel shower curtain rod flange with exposed mounting.

Bar Diameter (UX1):
1" (25mm)

Bar Diameter (UX2):
1 1/4" (32mm)

Standard Bar Lengths:
36", 42", 48", 60", 72"
(914mm, 1066mm, 1219mm, 1524mm, 1892mm)



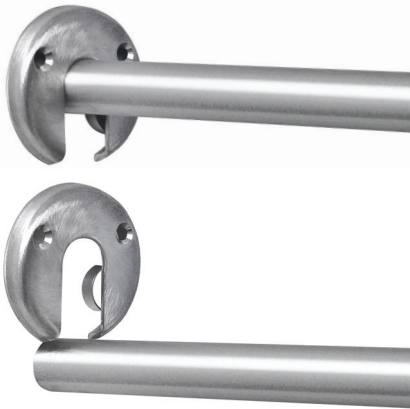
UX1-C Series | Set Screw Shower Curtain Flange & Rod

Style-C satin finish stainless steel shower curtain rod flange with concealed set screw mounting.

Bar Diameter (UX1):
1" (25mm)

Bar Diameter (UX2):
1 1/4" (32mm)

Standard Bar Lengths:
36", 42", 48", 60", 72"
(914mm, 1066mm, 1219mm, 1524mm, 1892mm)

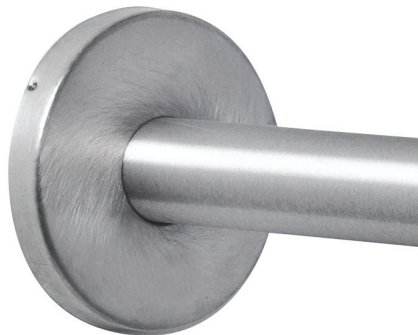


UX1-E Series | Security Shower Curtain Flange & Rod

Style-E satin finish, stainless steel shower curtain rod flange with breakaway design for security applications.

Bar Diameter (UX1):
1" (25mm)

Standard Bar Lengths:
36", 42", 48", 60", 72"
(914mm, 1066mm, 1219mm, 1524mm, 1892mm)



UX1-J | Concealed Snap-On Shower Curtain Flange & Rod

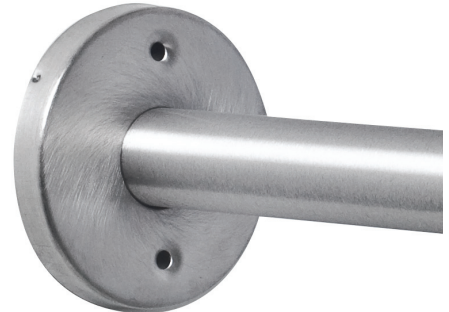
Style-J satin finish, stainless steel shower curtain rod flange with concealed mounting.

Bar Diameter (UX1):
1" (25mm)

Bar Diameter (UX2):
1 1/4" (32mm)

Standard Bar Lengths:
36", 42", 48", 60", 72"
(914mm, 1066mm, 1219mm, 1524mm, 1892mm)

Available with curved rods



UX1-K | Exposed Shower Curtain Flange & Rod

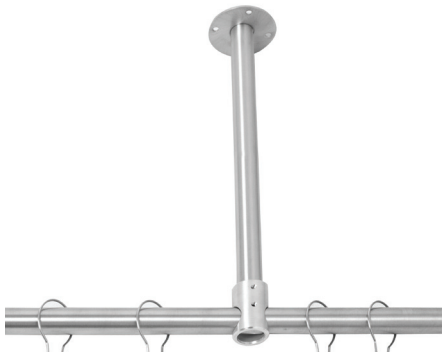
Style-K satin finish stainless steel shower curtain rod flange with exposed mounting.

Bar Diameter (UX1):
1" (25mm)

Bar Diameter (UX2):
1 1/4" (32mm)

Standard Bar Lengths:
36", 42", 48", 60", 72"
(914mm, 1066mm, 1219mm, 1524mm, 1892mm)

Available with curved rods



UX1-V | Heavy Duty Ceiling Shower Rod Support

Overhead satin finish stainless steel support recommended for shower curtain rods over 72"L.

Bar Diameter (UX1):
1" (25mm)

Standard Bar Lengths:
18", 24", 30", 36"
(457mm, 609mm, 762mm, 914mm)

UX2-V (Not Pictured):
Same as UX1-V, to accommodate 1 1/4" OD shower rod.



UX250 Series | Anti-Bacterial Fabric & Vinyl Shower Curtains

Anti-Bacterial shower curtains with hemmed tops.

Standard Dimensions:
36"x72", 42"x72", 48"x72",
60"x72", 72"x72"

UX250P:
White, Anti-Bacterial vinyl

UX250A:
White, Anti-Bacterial fabric

UX250W:
Anti-Bacterial white duck fabric



UX169 | Stainless Steel Shower Curtain Ring

Bright stainless steel shower curtain hook to fit 1"-1 1/4" OD shower rods.

Overall Size:
1 3/8"W x 2 7/8"H
(35mm x 73mm)

UX171 (Not Pictured):
Same as UX169, with ball bearings for smoother operation

Hook Quantities Needed:

Curtain Width	Hooks Needed
36"	6
42"	7
48"	8
60"	10
72"	12



UX1 Curved Shower Rods | Curved Shower Rod

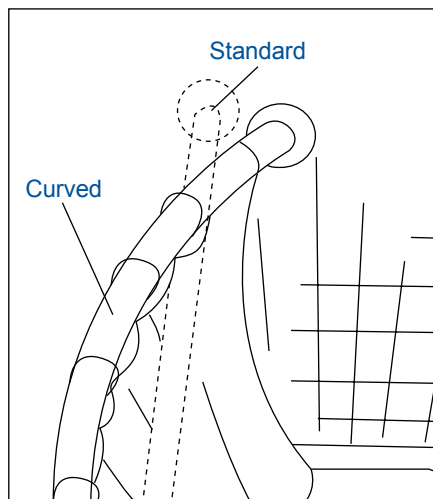
Stainless steel curved shower curtain rod with a satin finish.

Bar Diameter (UX1):
1" (25mm)

Flanges Available:
Style-K (exposed), Style-J (concealed)

Standard Bar Lengths:
48", 60", 72"
(1219mm, 1524mm, 1828mm)

Specify length and flange when ordering (ex. UX1-K48-CV). See page 52 for configuration and ordering guide.



Curved shower rod provides 6" more space than traditional straight rods

JANITORIAL ACCESSORIES



UJ41A Shown

Series Overview

AJW janitorial accessories are designed with versatility and function in mind. We provide numerous hook, mop holder and utility shelf combinations. We understand that not all workspaces are the same; we provide varying lengths and hook quantities that will fit any space, large or small.



UJ11A | Heavy Duty Dual Coat Hook Strip

Heavy duty dual extended hook strip.

Overall Size:
24"L (610mm)

Hooks:
Three (3) UX116 hooks

UJ11B (Not Pictured):
36"L (914mm) with four (4) hooks

UJ11C (Not Pictured):
46"L (1168mm) with five (5) hooks



UJ12A | Mop Holder Strip With Single Mop Holders

Heavy duty mop holder strip.

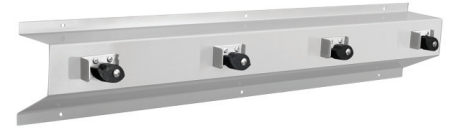
Overall Size:
26"L (660mm)

Hooks:
Three (3) UJ19 mop holders

UJ12B (Not Pictured):
36"L (914mm) with four (4) holders

UJ12C (Not Pictured):
46"L (1168mm) with five (5) holders

UJ12D (Not Pictured):
56"L (1422mm) with six (6) holders



UJ13B | Mop Holder Strip & Shelf Combination

Heavy duty mop holder strip and shelf.

Overall Size:
36"L (914mm)

Hooks:
Four (4) UJ19 mop holders

UJ13A (Not Pictured):
24"L (610mm) with three (3) holders

UJ13C (Not Pictured):
48"L (1219mm) with five (5) holders

UJ13D (Not Pictured):
60"L (1524mm) with six (6) holders



UJ14A | Double Robe & Towel Hook Strip

Heavy duty double hook strip.

Overall Size:
24"L (610mm)

Hooks:
Three (3) UJ16 hooks

UJ14B (Not Pictured):
36"L (914mm) with four (4) hooks

UJ14C (Not Pictured):
46"L (1168mm) with five (5) hooks

UJ14D (Not Pictured):
56"L (1422mm) with six (6) hooks



UJ16 | Heavy Duty Robe & Towel Hook

Heavy duty stainless steel hook for robe and towels.

Overall Size:
1"W x 6 11/16"H x 2 1/8"D
(25mm x 170mm x 54mm)



UJ19 | Stainless Steel Single Mop Holder

Single mop holder.

Overall Size:
2 9/16"W x 1 5/16"H x 1 3/16"D
(65mm x 33mm x 30mm)



UJ30B | Single Hook Strip with Shelf Combination

Heavy duty hook strip with 5"D shelf.

Overall Size:
26"L (660mm)

Hooks (UX110-SF):
Three (3) single hooks.

UJ30A (Not Pictured):
16"L (406mm) with two (2) hooks

UJ30C (Not Pictured):
36"L (914mm) with four (4) hooks



UJ31B | Double Hook Strip with Shelf Combination

Heavy duty double robe hook strip with 5"D shelf.

Overall Size:
16"L (406mm)

Hooks (UX112-SF):
Two (2) double hooks

UJ31A (Not Pictured):
16"L (406mm), 2 hooks

UJ31C (Not Pictured):
36"L (914mm), 4 hooks



UJ23 | Heavy Duty Stainless Steel Coat Hook

Heavy duty 11 gauge satin finish stainless steel coat hook with exposed mounting.

Overall Size:
1 1/4"W x 2 1/8"H x 1 1/4"D
(32mm x 54mm x 32mm)



UJ41A | Mop Holder, Hook Strip & Drying Rod Combination

Janitorial mop holder and hook strip with 8" mounted shelf and drying rod.

Overall Size:
34"L (864mm)

Hooks:
Three (3) holders and two (2) hooks

UJ41B (Not Pictured):
36"L (914mm) with four (4) holders and three (3) hooks

UJ41C (Not Pictured):
42"L (1066mm) with five (5) holders and four (4) hooks

UJ41D (Not Pictured):
48"L (1219mm) with six (6) holders and five (5) hooks



UJ45A | Shelf with Utility Hook & Mop Strip Combination

Janitorial mop holder and hook strip combination with 8" mounted shelf.

Overall Size:
34"L (864mm)

Hooks:
Four (4) hooks and three (3) holders

UJ45B (Not Pictured):
44"L (1117mm) with four (4) holders and five (5) hooks

UJ45C (Not Pictured):
54"L (1371mm) with five (5) holders and six (6) hooks



UJ18 | Heavy Duty Stainless Steel Pail or Ladder Hook

Heavy duty janitorial hook for pail or ladder storage fabricated of 14 gauge stainless steel.

Overall Size:
1 1/4"W x 6 3/4"H x 8 1/4"D
(32mm x 171mm x 209mm)



UJ21 | Heavy Duty Stainless Steel Clothes Hook

Heavy duty 11 gauge satin finish stainless steel coat hook with exposed mounting.

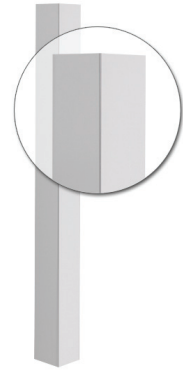
Overall Size:
1 1/4"W x 2 5/16"H x 1 1/8"D
(32mm x 59mm x 28mm)



UJ22 | Heavy Duty Stainless Steel Clothes Hook

Heavy duty 11 gauge satin finish stainless steel coat hook with exposed mounting.

Overall Size:
1 1/4"W x 2 1/8"H x 1 1/4"D
(32mm x 54mm x 32mm)

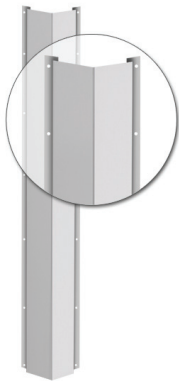


UM10-0448 | Stainless Steel Finished Wall Corner Guard

Stainless steel 18 gauge corner guard for finished walls and doorways.

Standard Size:
3 1/2" W x 3 1/2"W x 48"H
(89mm x 89mm x 1219mm)

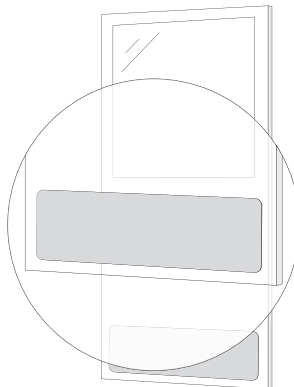
Options:
Exposed mounting points
Mounting adhesive not supplied



UM20-0448 | Stainless Steel Rough Wall Corner Guard

Stainless steel 18 gauge corner guard for rough walls and doorways.

Standard Size:
3 1/2" W x 3 1/2"W x 48"H
(89mm x 89mm x 1219mm)

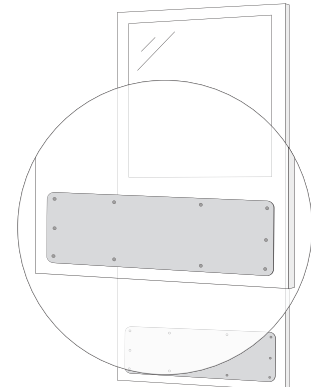


UM50-3008 | Stainless Steel Kick Plate With Concealed Mounting

Stainless steel 18 gauge satin finish kick plate with concealed mounting.

Overall Size (standard):
8"H x 30"W
(203mm x 762mm)

Mounting adhesive not supplied



UM51-3008 | Stainless Steel Kick Plate with Exposed Mounting

Stainless steel 18 gauge satin finish kick plate with exposed mounting.

Overall Size (standard):
8"H x 30"W
(203mm x 762mm)

SECURITY ACCESSORIES



US40 Shown

Series Overview

AJW security products are fabricated of heavy gauge stainless steel and are designed to prevent tampering and vandalism. Products in this series include shatter resistant mirrors, collapsible hook strips and grab bars fabricated with closure plates to prevent injury and hiding of contraband. These products are ideal for correctional facilities where security is of highest concern.



US17 | Heavy Duty Collapsible Security Hook

Heavy duty security hook with adjustable tension control, designed to prevent injury.

Overall Size:
1"W x 4 5/16"H x 3"D
(25mm x 109mm x 76mm)



US18 | Concealed Security Clothes Hook

Heavy duty security clothes hook with pivoting ball joint to prevent injury.

Overall Size:
4"W x 4"H x 2 1/4"D
(102mm x 102mm x 57mm)

US19 (Not Pictured):
Same as US18, with exposed mounting



US22 | Stainless Steel Security Soap Dish

Surface mounted, 7 gauge stainless steel soap dish.

Overall Size:
5"W x 2 1/4"H x 2 13/16"D
(127mm x 57mm x 68mm)

US21 (Not Pictured):
Same as US22, with concealed mounting



US23 Series | Towel Bar

Heavy duty stainless steel towel bar, welded to form a one-piece construction.

Standard Lengths:
18", 24", 30"
(457mm, 610mm, 762mm)

Specify length when ordering
(ex. US23-24)



US39 | Security Hook Strip

Heavy duty security hook strip with collapsible hooks.

Overall Size:
18"W x 5 1/2" H x 3" (Wall to hook)
(457mm x 139mm x 76mm)

Hooks:
Four (4) US17 security hooks



US40 | Security Hook Strip

Heavy duty security hook strip with collapsible pivoting ball joint hooks.

Overall Size:
18"W x 5 1/2" H x 2 1/8" (Wall to hook)
(457mm x 140mm x 54mm)

Hooks:
Four (4) US18 security hooks



US51 | Security Hook Strip & Shelf Combination

Heavy duty collapsible security hook strip and utility shelf combination.

Overall Size:

18"W x 11"H x 8"D
(457mm x 279mm x 203mm)

Hooks:

Four (4) security hooks

US52 (Not Pictured):

Same as US51, with exposed mounting



US53 | Security Hook Strip & Shelf Combination

Heavy duty collapsible security hook strip and utility shelf combination.

Overall Size:

18"W x 11"H x 8"D
(457mm x 279mm x 203mm)

Hooks:

Four (4) security hooks

US54 (Not Pictured):

Same as US53, with exposed mounting



US806 | Security Dual Toilet Tissue Dispenser

Dual toilet tissue dispenser with keyed lock, controlled delivery and heavy gauge stainless steel bracket.

Overall Size:

13 3/4"W x 2 3/5"H x 4"D
(349mm x 60mm x 102mm)

Capacity:

Two standard rolls 1000 sheet two ply or 1500 sheet single ply rolls

US805 (Not Pictured):

Same as US806 with single roll capacity

US805-NC & US806-NC:

Same as US805 & US806 with non-controlled delivery



US889 | Security Dual Toilet Tissue Dispenser

Hooded dispenser with a stainless steel tube as the spindle (padlock not included).

Overall Size:

10 1/8"W x 5 1/8"H x 4 1/2"D
(257mm x 130mm x 114mm)

Capacity:

Two standard rolls 1000 sheet two ply or 1500 sheet single ply rolls

U888 (Not Pictured):

Same as U889 with single roll capacity



US11 | Security Toilet Tissue Holder

Single roll 18 gauge stainless steel toilet tissue holder with exposed mounting and capped end.

Overall Size:

3"W x 5 1/2" x 3 5/8"D
(76mm x 140mm x 93mm)

Capacity:

One standard roll 1000 sheet two ply or 1500 sheet single ply roll



US80 | Recessed Stainless Steel Security Soap Dish

Recessed security soap dish with concealed mounting and satin finish.

Overall Size:

7"W x 5"H x 2 3/4"D
(178mm x 127mm x 70mm)

Wall Opening:

5 7/8"W x 3 7/8"H x 2 3/4"D
(149mm x 98mm x 70mm)



US7138B | Exposed Mounting Security Mirror

Stainless steel heavy duty angle frame security mirror.

Standard Sizes:

12" x 16", 16" x 24", 16" x 30",
18" x 30", 24" x 30"

Reflective Surfaces Available:

Brightly Polished Steel, Plastic Acrylic

US7128B (Not Pictured):

Same as US7138B with concealed mounting points



US74 | Security Toilet Tissue Holder

Recessed, security toilet tissue holder with concealed mounting.

Overall Size:

6 1/4" OD x 4 5/16"D
(159mm x 110mm)

Wall Opening:

5 3/4"W x 4 3/4"D
(146mm x 121mm)

Capacity:

One standard rolls 1000 sheet two ply or
1500 sheet single ply roll



US75 | Security Toilet Tissue Holder

Recessed, security toilet tissue holder with exposed mounting.

Overall Size:

8"W x 8"H x 4 5/16"D
203mm x 203mm x 109mm

Wall Opening:

5 3/4" W x 4 3/4"D
(146mm x 121mm)

Capacity:

One standard rolls 1000 sheet two ply or
1500 sheet single ply roll



US740 | Frameless Stainless Steel Security Mirror

One-piece stamped, high polish stainless steel, tamper-resistant security mirror with exposed mounting.

Overall Size:

11 1/4"W x 17 1/4"H x 1/4"D
(286mm x 438mm x 6mm)



*Underside

US130-A Series | Straight Bar With Closure Plate

Straight grab bar with a closure plate for security applications.

Standard Lengths:

12", 18", 24", 30", 36", 42", 48"

Bar Diameters:

1 1/2"

Flange Styles:

Exposed

Specify length when ordering
(ex. US130-A24)



*Underside

US130-G Series | Two Wall Bar With Closure Plate

Two wall grab bar with a welded closure plate for security applications.

Standard Lengths:

16" x 30", 18" x 30", 24" x 36"

Bar Diameter:

1 1/2"

Flange Style:

Exposed

Specify length & handing when ordering
(left handing shown, ex. US130-G3016L)

Model #	Page	Model #	Page	Model #	Page	Model	Page
U012	9	U374	51	U706 Series	36	U865H	33
U021	9	U410	27	U711 Series	35	U905	49
U025	9	U440	27	U716 Series	35	U920	47
U103	11	U4484	27	U717 Series	36	U921	47
U104	11	U450 Series	27	U718 Series	36	U925	47
U105	11	U470 Series	27	U719 Series	36	U926	47
U106	11, 50	U472 Series	27	U720 Series	36	U928	48
U109	11	U480	27	U730 Series	36	U929	47
U112	12	U510	29	U770 Series	37	U930	48
U115	11	U526	29	U788	37	U931	48
U116	11	U526-SM	29	U790	37	U933	48
U117	11	U580	29	U792 Series	37	U934	47
U120	12	U581	29	U795 Series	37	U935	48
U122	12	U582	29	U803	39	U936	48
U124	12	U590	29	U804	39	U939	47
U125	12	U591	29	U805	39	U944	49
U126	12	U592	29	U805-NC	39	U951	49
U127	12	U600	20	U806	39	U952	49
U128PC	13	U601	19	U806-NC	39	U961	51
U128PCA	13	U6018B	19	U807	39	U962	51
U129PC	13	U602	19	U811	39	U965	51
U129PCA	13	U618	21	U812	39	U980	49
U133	13	U626	22	U813	39	U981	49
U134EA	13	U627	22	U814	39	U984	50
U135EA	13	U640	24	U815	39	U984-SM	50
U136EA	12	U646AW	21	U830	40	U985	50
U144	12	U646EA	21	U832	40	U985-SM	50
U155	12	U648	25	U834	40	U986	50
U156	12	U650	23	U838	41	U987	50
U169AW	15	U659EA	23	U840	40	U1511EA Series	9
U169EA	15	U659AW	23	U841	40	U1512EA Series	9
U169FL	15	U659HF	23	U842	40	U1525EA Series	9
U169HF	15	U659CP	23	U850	31	U1521EA Series	9
U176	15	U660AW	24	U850-SM	31	U1304	13
U180	15	U660EA	24	U851	31	U1314	13
U180-TK	15	U660FL	24	U852	31	U2304	17
U181	15	U660HF	24	U860	32	U2324	17
U180A	16	U674	25	U860A	32	U5814	29
U180A-TK	16	U661AW	24	U861	32	U6014	20
U190	16	U661EA	24	U861A	32	U6024	18
U190-TK	16	U661FL	24	U861AH	32	U6014EA	19
U194	16	U670AW	23	U861H	32	U6054	20
U199AW	16	U670EA	23	U862	31	U6084	20
U199EA	16	U700 Series	35	U862-SM	31	U6184	21
U199HF	16	U7018B Series	36	U864	33	U6264	22
U210	17	U702 Series	35	U864A	33	U8504	31
U230	17	U703 Series	35	U865	33	UB13	59
U232	17	U704 Series	36	U865A	33	UB14	59
U280	17	U705 Series	35	U865AH	33	UB16	59

Model #	Page	Model #	Page	Model #	Page	Model #	Page
UB17	59	UJ30A	64	UX2-A	60	UX120-SF	53
UB19	59	UJ30B	64	UX1-B	60	UX121-BF	53
UB32-BF	59	UJ30C	64	UX2-B	60	UX121-SF	53
UB32-SF	59	UJ31A	64	UX1-C	60	UX122-BF	53
UC10	58	UJ31B	64	UX2-C	60	UX122-SF	53
UC12	58	UJ31C	64	UX1-E	60	UX125-BF	55
UC20	58	UJ41A	64	UX1-J	60	UX125-SF	55
UC21	58	UJ41B	64	UX2-J	60	UX130-BF	54
UC22	58	UJ41C	64	UX1-K	60	UX130-SF	54
UC30	58	UJ41D	64	UX2-K	60	UX131-BF	55
UC31	57	UJ45A	64	UX1-V	61	UX131-SF	55
UC32	57	UJ45B	64	UX2-V	61	UX132-BF	55
UC41	41, 58	UJ45C	64	UX60-BF	57	UX132-SF	55
UC42	41, 58	UM10	65	UX60-SF	57	UX135-BF-24	37, 55
UC72	41, 57	UM20	65	UX61-BF	57	UX135-SF-24	37, 55
UX1-CV	61	UM50	65	UX61-SF	57	UX137-BF-24	55
UG-A	43,51	UM51	65	UX70-BF	41, 54	UX137-SF-24	55
UG-G	43	US11	68	UX70-SF	41, 54	UX141-BF	41, 54
UG-V	43	US17	67	UX71-BF	41, 54	UX141-SF	41, 54
UG-U	43	US18	67	UX71-SF	41, 54	UX142-BF	41, 54
US130-A	43, 69	US19	67	UX75-BF	41, 54	UX142-SF	41, 54
US130-G	43, 69	US21	67	UX75-SF	41, 54	UX143-BF	56
UJ11A	63	US22	67	UX76-BF	41, 54	UX143-SF	56
UJ11B	63	US23	67	UX76-SF	41, 54	UX148-BF	55
UJ11C	63	US39	67	UX80-BF	57	UX169	61
UJ12A	63	US40	67	UX80-SF	57	UX171	61
UJ12B	63	US51	68	UX81-BF	57	UX192	56
UJ12C	63	US52	68	UX81-SF	57	UX196-SF	56
UJ12D	63	US53	68	UX82-BF	57	UX196-BF	56
UJ13A	63	US54	68	UX82-SF	57	UX196-SF-SM	56
UJ13B	63	US74	69	UX83-SF	57	UX196-BF-SM	56
UJ13C	63	US75	69	UX83-BF	57	UX250P	61
UJ13D	63	US80	68	UX110-BF	53	UX250A	61
UJ14A	63	US740	69	UX110-SF	53	UX250W	61
UJ14B	63	US805	68	UX111-BF	53	UX901	56
UJ14C	63	US805-NC	68	UX111-SF	53	UX924	56
UJ14D	63	US606	68	UX112-BF	53	UX938	57
UJ16	63	US806-NC	68	UX112-SF	53		
UJ18	64	US888	68	UX116-BF	53		
UJ19	63	US889	68	UX116-SF	53		
UJ21	65	US7128B	69	UX119-BF	55		
UJ22	65	US7138B	69	UX119-SF	55		
UJ23	64	UX1-A	60	UX120-BF	53		

Visit our website @ www.ajwashroom.com:

Detailed technical documents



Find exactly what you need with new product selection functions



Can't find something? Try the Advanced Search feature

AJW

A&J Washroom Accessories

509 Temple Hill Road
New Windsor, NY 12553-5532
P. (845) 562-3332 | F. (845) 562-3391
www.ajwashroom.com



An American Manufacturer