



U199FL

Roll Towel Dispenser

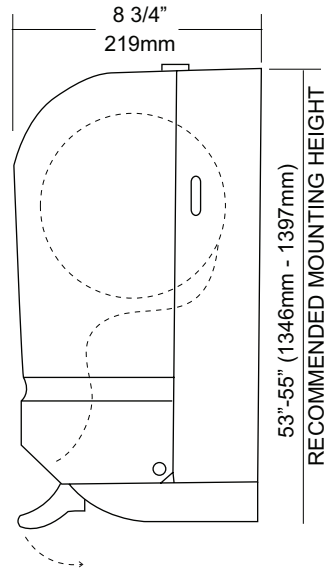
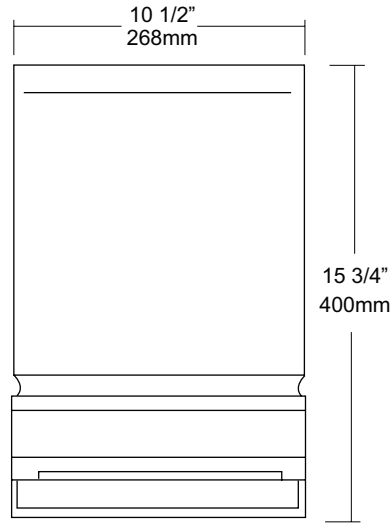
Revision 01/12

JOB #:

ITEM #:

QUANTITY:

MOUNTING	HANDING	TYPE	SIZE	OTHER



SPECIFICATIONS	INSTALLATION
----------------	--------------

Cabinet Body: Fabricated of high impact ABS material.

Cover: Translucent ABS material that is corrosion resistant with a rounded design. Cover allows a constant paper level check.

Lock: Cover is secured to body by means of a special key.

Towel Dispensing: Full width body push bar allows easy operation of mechanism that operates under 5 lbs of force. Push bar can be operated with users hand, elbow or forearm.

Overall Size: 10 1/2"W x 15 3/4"H x 8 3/4"D
267mm x 400mm x 222mm

Capacity: One standard size roll of 8" or 9" wide. (Use only non-perforated towels). One stub roll up to 2 3/4" OD

***600ft roll recommended for best results.**

Open cabinet door and place unit to desired or specified location. Making sure unit is level, transfer mounting points. Drill pilot holes and secure with proper fasteners per application. Install roll towels making sure to feed paper into dispensing area at bottom. Close cover and test operation of dispenser.

NOTES