



U788

Fold-Down Shelf

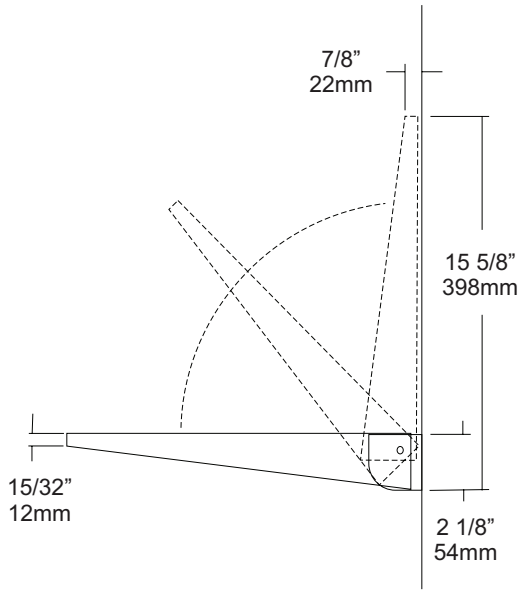
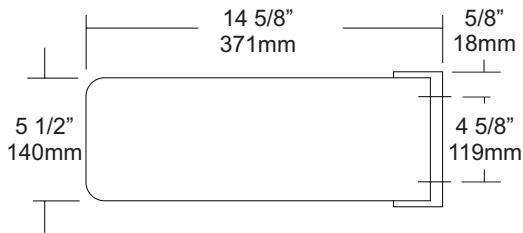
Revision 03/11

JOB #:

ITEM #:

QUANTITY:

MOUNTING	HANDING	TYPE	SIZE	OTHER



SPECIFICATIONS

Shelf: Fabricated of #18 ga stainless steel with a #4 satin finish. Leading edges are radiused and deburred to prevent injury.

Mounting Bracket: Fabricated of #14 ga stainless steel finished to match shelf. All edges are deburred and have a radius.

Spring: Heavy duty internal spring will allow shelf to return to the up-right position when not in use.

Overall Size: 14 5/8" L x 5 1/2" W
398mm x 140mm

INSTALLATION

Place shelf on mounting surface making sure unit is level. Transfer mounting points and drill pilot holes. Secure unit to wall with proper fasteners per application. Shelf is manually lowered and maintains the extended position by having weight placed on shelf. Shelf will retract to the up-right position after the weight has been removed.

NOTES

Formerly Model #: U787