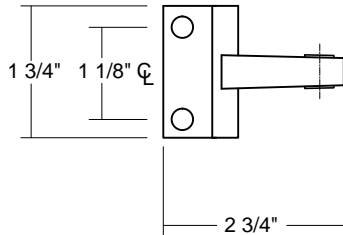
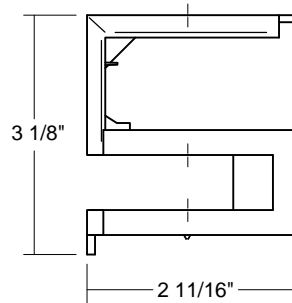


Cut-Out Inset Gravity Hinge Stainless Steel Partitions

Upper Pilaster Connection



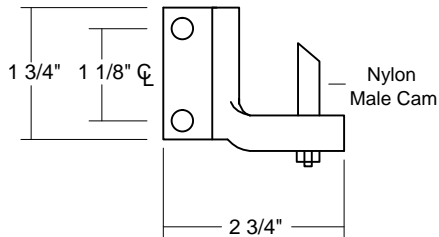
Upper Door Connection



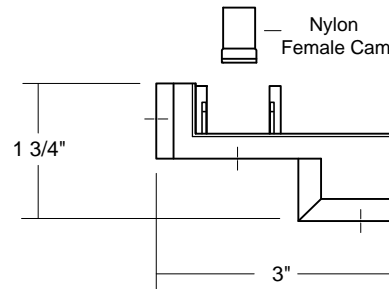
Top Connection Pin



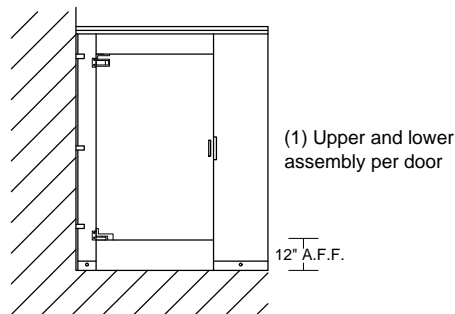
Lower Pilaster Connection



Lower Door Connection



Sample Elevation



- **Material:** Chrome Plated Zamac.
- **Application:** Door-to-pilaster connections.
- **Fasteners required per component:** (4) male/female thru-bolt pairs.